



Tractors

AXION

850 820

**CLAAS** | | | | |

# The AXION 800 from CLAAS.



Convincing in every way.  
The AXION 800.

As one of the leading manufacturers of agricultural machinery, CLAAS is uniquely placed to understand what really matters to the farming community. Outstanding versatility, the greatest possible comfort, intelligent technology and above all value for money – these are the factors that count.

Packed with power. With maximum engine output of 233 hp<sup>1</sup>, up to 35 hp reserve power and enormous lifting capacity, the AXION 800 is the ideal basis for a broad range of applications. Whatever the application, its intelligent engine management system ensures that fuel consumption remains low.

Ready to go. The intuitive, ergonomic controls on the AXION 800 hold no mysteries. Drivers can find their way around right from the start. The functions are all arranged logically and, combined with exceptional comfort, enable the driver to relax even during long working days.

A real worker. All the components and systems on the AXION 800 are designed for outstanding reliability and a long service life. It won't let you down.

<sup>1</sup> Rated output in accordance with ECE R 120

Some things will be different –  
and many things will be easier.



## Contents

### CLAAS POWER SYSTEMS

Drive train	8
Engine	10
Transmission	12
Construction	16
Power-to-weight ratio	18
Front linkage, rear linkage	20
Hydraulics, hitching, power take-off	22

### Cab

Armrest and DRIVESTICK	26
CIS – CLAAS INFORMATION SYSTEM	28
Suspension and lighting concept	30

### EASY – Efficient Agriculture Systems

ISOBUS	34
Steering systems	36
Maintenance	38
CLAAS Service & Parts	40
Features	42
Specifications	43

# CPS – CLAAS POWER SYSTEMS.

Optimised drive for outstanding results.

The CLAAS machinery development programme constantly strives to maximise efficiency, improve reliability and optimise cost-effectiveness. CLAAS POWER SYSTEMS (CPS) bring together top-quality components to create a drive system that sets new standards – and always delivers maximum power when it is needed. CPS is ideally matched to the working system, featuring fuel-saving technology that quickly pays for itself.



**CPS** | CLAAS  
POWER  
SYSTEMS



We can't lower the price of diesel, but we can lower the fuel consumption.



#### Get more done.

A constant power range of 400 rpm and a torque increase of 40% are the impressive performance statistics presented by the AXION 800. But higher output doesn't necessarily imply higher fuel consumption. On the contrary – thanks to the engine technology used here and CLAAS POWER MANAGEMENT (CPM), not a single litre of valuable diesel is wasted. Additional output is only mobilised when it is required.

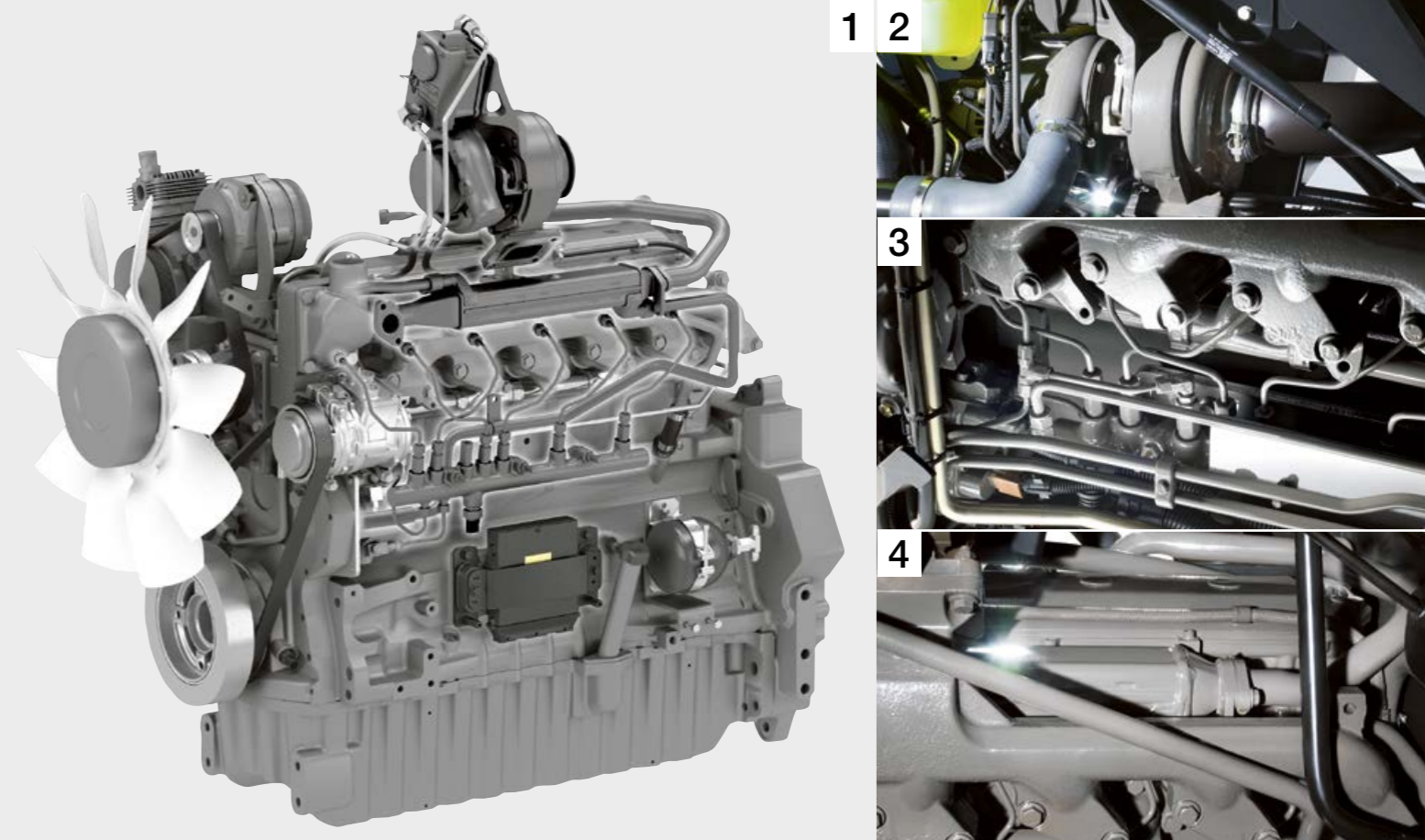
The automatic HEXASHIFT transmission makes another valuable contribution, allowing you to work efficiently and economically. Its outstanding efficiency puts it in a class of its own and guarantees just the right engine and working speed in any application. Regardless of the speed you work at, low operating costs are our first priority.

#### Low fuel consumption, thanks to AXION 800 technology.

- Perfectly matched transmission and rear axle for a high degree of efficiency
- Engines with
  - Variable turbo
  - Cooled exhaust gas recirculation
  - 4-valve cylinder head
  - Common rail injection system
  - Controlled viscous fan
  - Electronic injection
- Rear tyres up to 2.05 m in diameter for good tractive power transmission
- Electronic powertrain management
- CPM with gradual release of additional engine output
- Maximum forward speed at reduced engine rpm



A lot of power under the bonnet – and up to 35 hp in reserve.

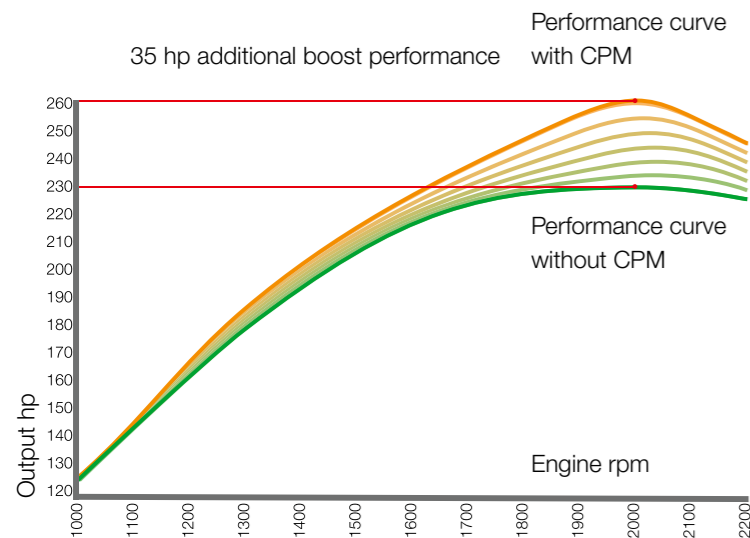


#### CLAAS POWER MANAGEMENT (CPM).

All AXION 800 models are fitted with the innovative CPM. Depending on the tractive power requirement, PTO output or hydraulic power decrease, up to 35 hp additional engine performance will be gradually released under the following conditions:

- Transmission in range C or D (C1 = 6 km/h)
- If hydraulic output is decreasing
- If PTO output is decreasing

The CPM releases the additional boost power in six stages, so it never releases more fuel-hungry power than is actually required.



#### 1 DPS 6.8 litre six-cylinder engine.

- Complies with emission standard Stage IIIA (Tier 3)
- 4-valve cylinder head
- Air-to-air intercooler
- Up to 40% torque increase
- Modern CPM boost technology with up to 35 hp reserve power
- Electronically controlled
- 500 h oil-change interval

Output values in accordance with ECE R 120.

AXION	Rated output	Max.	Additional CPM boost
850	233	238	30
820	189	197	35

#### 2 Variable geometry turbo (VGT)

For a high torque, even at low engine speeds, the turbine blades are adjusted depending on speed and load. This means no more "turbo lag".

#### 3 Common rail injection system.

Common rail means improved response, lower fuel consumption and more precise engine matching to all operating statuses.

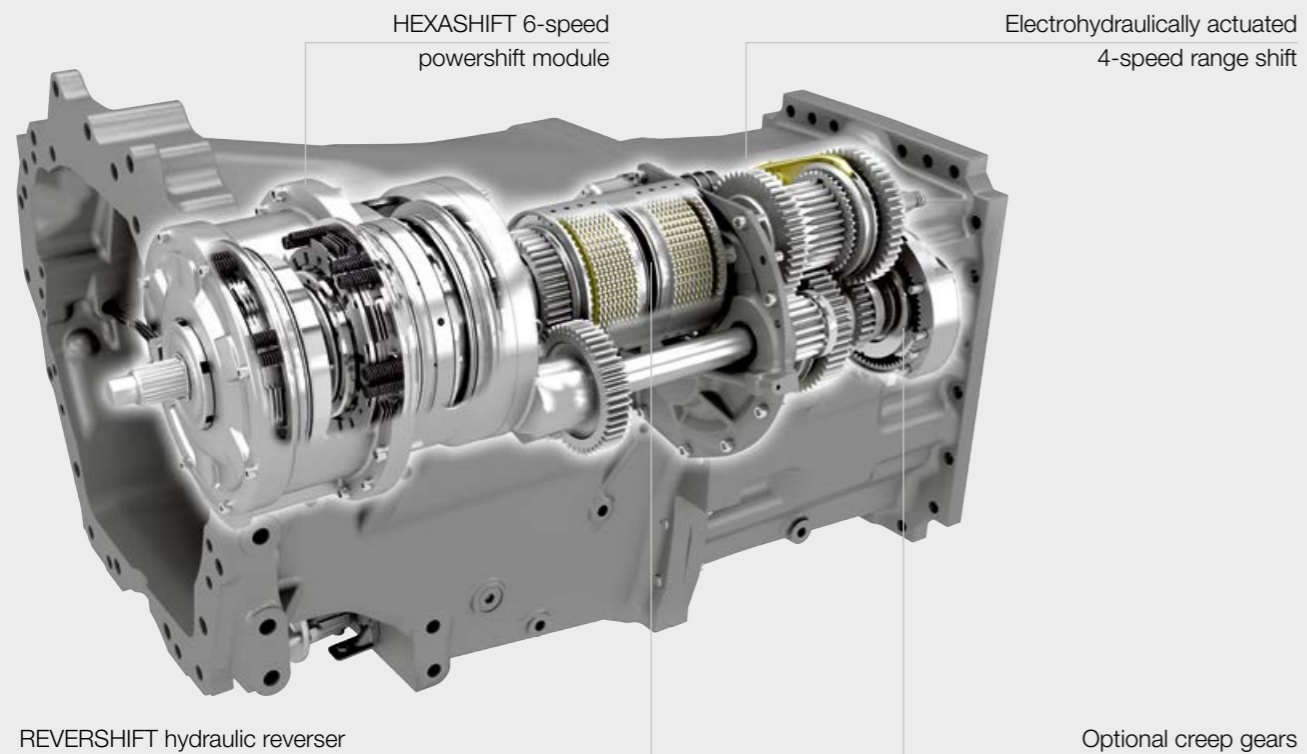
#### 4 Cooled exhaust gas recirculation.

The recirculation of part of the exhaust gas flow significantly reduces pollutant emissions. Supplementary cooling optimises the combustion process and reduces fuel consumption.

Examples of applications where the 35 hp provided by the CPM are available:

- Medium and light cultivation
- Drilling
- Baling
- Slurry spreading

Engine



The perfect speed automatically – no matter what you're doing.

### The HEXASHIFT powershift transmission from CLAAS.

It supports you with the finest high technology. Thanks to HEXASHIFT and the DRIVESTICK, you can shift effortlessly through all six powershift speeds and the four ranges using your fingertips, or you can shift automatically using the HEXACTIV powershift unit.

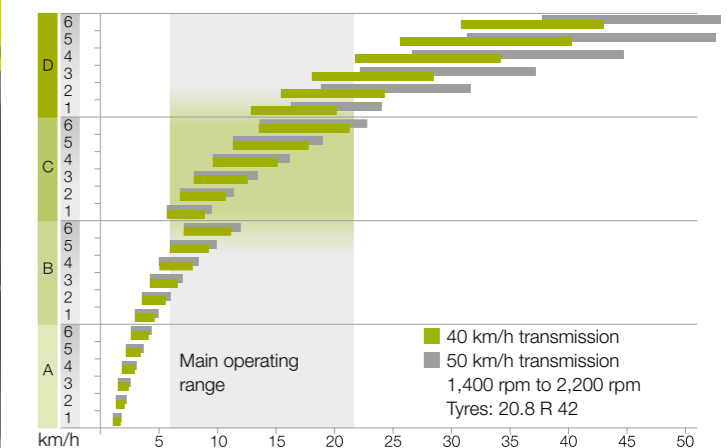
### CLAAS HEXASHIFT offers clear benefits.

- No need to use the clutch when changing range
- Good gear spacing in the main operating range
- Fully automatic shifting with HEXACTIV
- Excellent efficiency in the field and on the road for low fuel consumption
- Creep gear option down to 500 m/h
- Convenient adjustment options with CIS
- High operating comfort with the DRIVESTICK
- Powertrain management for smooth changes in range and powershift operations



### Always the right speed.

Whether you choose the 40 km/h or the 50 km/h transmission model, the gear spacing in the lower ranges A to C remains the same. This means that you will always have enough ratios available in the main operating range during field work.



Almost everything is in the green zone – 80% of all agricultural operations can be carried out without changing the range.

Transmission

Let the AXION 800 do the shifting – you've got better things to do.



The attractive HEXASHIFT functions in the AXION 800.

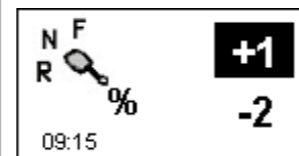
1 The starting ratio can be individually set via CIS.



2 Infinitely variable adjustment of the shift points for the automatic powershift unit via CIS.



3 The modulation of the REVERSHIFT reverser can be changed in the CIS menu.



4 A freely programmable headland gear is actuated by pushing the DRIVESTICK.



Four driving strategies.

1 Manual shifting in field mode

Mode

- Field mode selected
- HEXACTIV switch not pressed

Shifting

- Range shifting (A-D) by pressing the DRIVESTICK through the stop
- Powershift shifting (1-6) by tapping the DRIVESTICK

2 Manual shifting in transport mode

- Road mode selected
- HEXACTIV switch not pressed

- Shift through all 24 gears (A1-D6) by tapping the DRIVESTICK

3 Automatic shifting in field mode

- Field mode selected
- HEXACTIV switch pressed

- Range shifting (A-D) by pressing the DRIVESTICK through the stop
- Powershift shifting (1-6) automatic

4 Automatic shifting in transport mode

- Road mode selected
- HEXACTIV switch pressed

- Shift automatically through all 24 gears (A1-D6)



Transmission



A unique combination of compact size and power.



Short overall length.



Short overall length for:

- Good manoeuvrability
- Short trailer combination on the road
- Good visibility
- Good guidance of front-mounted implements

Long wheelbase for:

- High level of driving comfort
- Directional stability
- Higher tractive power
- Good and secure road holding
- Higher lifting power

Long wheelbase of 2.98 m

Optimum weight distribution.



Wide range of applications.  
Up to 35 hp usable boost power:

- From 6.0 km/h during tillage
- During drilling – heavy PTO work
- During trailer and transport jobs
- During baling

A low power-to-weight ratio:

- For low fuel consumption during light work
- For low ground pressure during field maintenance
- For dynamic road transport
- For greater flexibility: the power-to-weight ratio can be increased through ballasting if higher traction is required.
- For a high load capacity
- Weight distribution with front ballasting: front / rear 50% / 50%



Construction



You decide on the ideal operational weight.

Make use of the tractive power built into the AXION 800:

- Rear axle tyres up to 2.05 m in diameter
- Up to 400 kg wheel weights per rear wheel
- Flanged axle or 2.5 and 3 m adjustable axle
- High chassis efficiency with careful matching of transmission and rear axle
- Good weight distribution and a long wheelbase
- Front ballast up to 900 kg ex factory

Make your road travel and maintenance operations more economical:

- 50 km/h max. speed as an option (not available in every country)
- High transmission efficiency
- Low fuel consumption, even with partial loads
- High driving comfort
- Reduced engine speed at 40 and 50 km/h



Power-to-weight ratio

# The lifting power of a 300 hp tractor.



Extend your range of applications – AXION 800 and the CLAAS front loader:

- Quick attachment and removal without tools
- Fully integrated CLAAS mounting bracket
- A robust, effective combination
- SHOCK ELIMINATOR vibration damping for exceptional driving comfort



A fully integrated front linkage, ex factory.

When developing the AXION 800, a fully integrated front linkage with up to 5.4 t lift capacity and a front PTO shaft were envisaged from the outset. Accordingly, this version is available ex factory, and offers many advantages when compared with more conventional retrofitting solutions.

Benefits of the integrated front linkage:

- Perfect transfer of force to the tractor
- High lift capacity
- Integrated front PTO
- Integrated hydraulic and electric connections
- Two lift capacity options (3.3 and 5.4 t)
- No retrofitting required at the dealer
- Vibration damping

Intelligent rear linkage – the details.

The operating layout for the rear hydraulics with 10 t maximum lifting capacity was designed specifically for the AXION 800, and is focused on meeting everyday requirements:

- Draught control
- Position control
- Wheel slip control
- Straightforward operation
- Automatic PTO engagement/disengagement

Easy-to-operate rear linkage



Front linkage  
Rear linkage



The right connection  
for every implement.

#### AXION 800 – the hydraulics.

- Load-sensing hydraulics with 110 l/min flow or optional 150 l/min flow for applications with a high oil demand
- Up to four mechanical spool valves
- Power Beyond connections at the rear
- CPM provides up to 35 hp boost if hydraulic output falls



#### Front and rear PTO.

- 540/1,000 rpm as standard
- 540/540 ECO/1,000 rpm optional
- Front PTO (1,000 rpm) optional
- Remote control switch for front and rear PTO shafts
- Automatic PTO engagement/disengagement can be adjusted for lifting height of rear linkage
- Up to 35 hp boost for PTO work with CPM



#### Numerous hitching options.

- Drawbar
- Standard clevis
- Automatic clevis, 38 mm and 32 mm



Hydraulics  
Hitching systems  
PTO

Unrivalled  
convenience.

- Multifunction armrest with DRIVESTICK
- 4-point cab suspension
- CIS on-board computer

Cab

# Control at your fingertips.



## The unique DRIVESTICK.

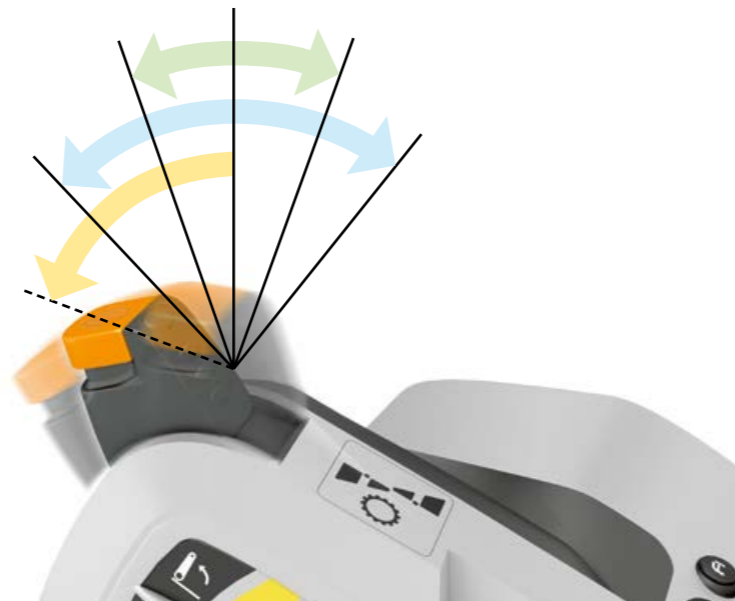
The DRIVESTICK is used intuitively, and gives you full control via the HEXASHIFT transmission. Complex and cumbersome shifting operations therefore become a thing of the past. All you need is to develop the right feel for the DRIVESTICK's operation to shift as you please.

- Shifting operation, powershift speeds + / -
- Shifting operation, range + / -
- Hold the DRIVESTICK in the first position to continue shifting

- 1 Rear linkage operation
- 2 DRIVESTICK for operating the HEXASHIFT
- 3 Hand throttle
- 4 Activation of HEXACTIV automatic transmission and push switch for two stored engine speeds
- 5 F1 and F2 functions
- 6 Rear linkage height adjustment
- 7 Control of up to four mechanical spool valves

## The perfectly ergonomic armrest.

The multifunction armrest has been designed for optimum ergonomics, and is the linchpin to relaxed and effective working. It's the result of extensive analyses of the operating processes in the cab: frequently required functions are located on the multifunction armrest, while those required less frequently are located on the right side console.



## The benefits for you:

- Intuitive operation, even with different drivers
- You stay relaxed and work effectively
- You manage work sequences in simple steps
- You can give your full attention to the field work
- A relaxed hand position, even during long working days
- No relative movement between body and armrest as it is attached to the seat





Well informed. CIS.

The CLAAS INFORMATION SYSTEM (CIS).

The CIS display features a compact design and intelligent user ergonomics. All settings can be operated using a rotary switch and the ESC key.

- The following functions can be set using the CIS:
- Shift points for the HEXACTIV powershift unit
  - Start-up gear for the HEXASHIFT transmission
  - Progressivity of the REVERSHIFT clutchless reverser
  - On-board computer functions such as area covered, fuel consumption, area output
  - Maintenance interval display



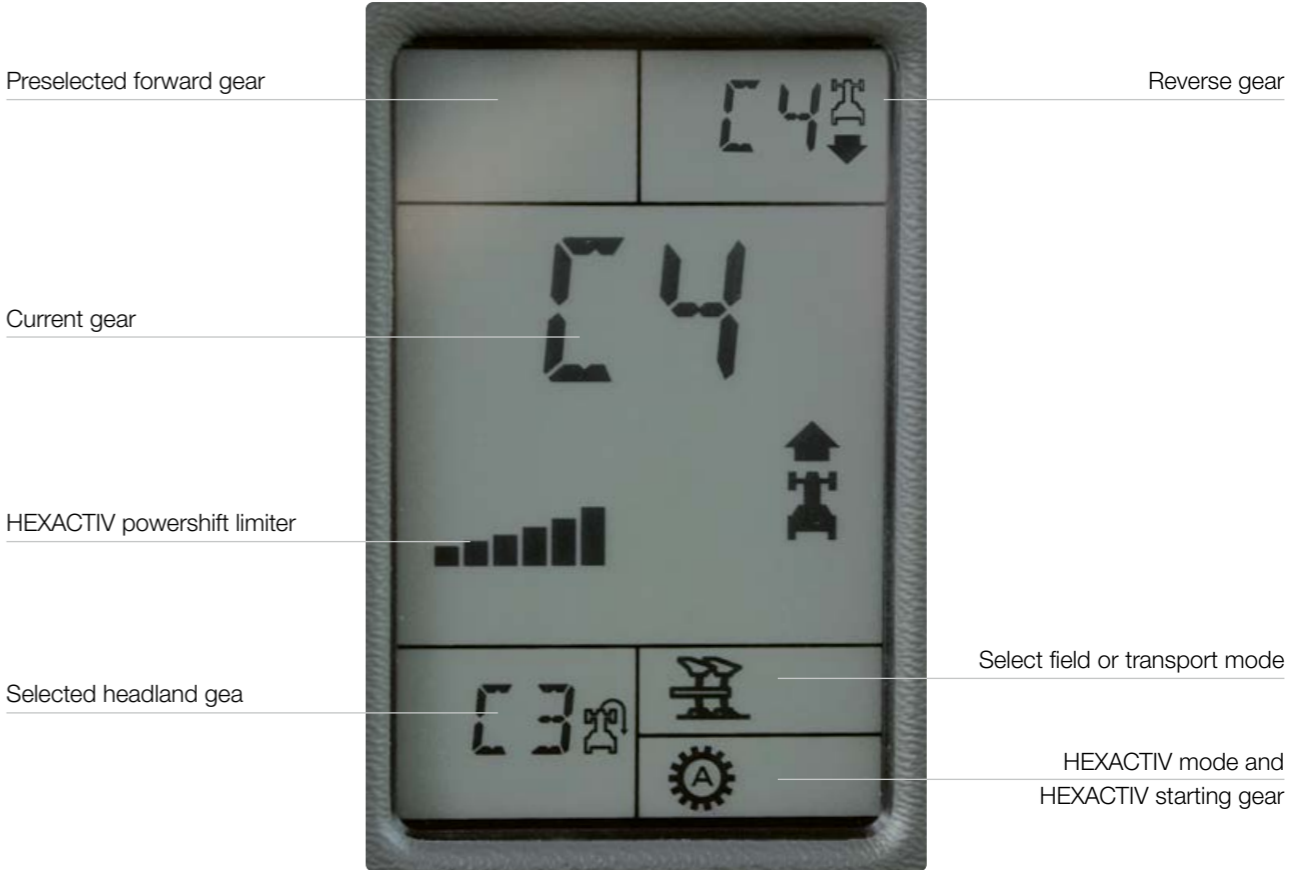
- 1 Navigation in the menu
- 2 Select
- 3 ESC button

Your benefits with CIS on-board computer and mechanical spool valves:

- All information in view via A-pillar display and CIS

- Fitted with multifunction armrest and DRIVESTICK for transmission operation as standard
- Up to four mechanical spool valves with float setting
- Simple to operate, even with different drivers

HEXASHIFT transmission display in the A-pillar



# Nothing can shake an AXION 800 driver.



## Protects both driver and machine.

No matter how rough the terrain, the AXION 800 ensures that you won't feel a thing – because it's the only tractor in this performance range with a 4-point fully suspended cab. But this is just one example of a suspension concept which is exemplary in every way.

- The driver's seat is pneumatically suspended and supports your back – even during long working days
- Front and rear linkage have vibration damping

## Benefits provided by CLAAS comfort:

- Relaxed and motivated drivers
- Higher speed, thanks to cab suspension
- Significant reduction in back and muscle strain
- Good productivity, by day, in the evening and at night
- Operating errors are avoided, thanks to logical control layout



## The 4-point cab suspension.

The cab suspension makes a crucial difference: vertical and horizontal vibration is effectively absorbed at four points. This full suspension system is exclusively offered by CLAAS, so that nothing will compromise your driving enjoyment.



## The new lighting concept turns night into day.

Up to 14 work lamps (including four Xenon spotlights which are available as an option) ensure that every nook and cranny will be perfectly illuminated. That means you can decide quickly and individually where to shine a light.



Well-positioned steps and handles provide safe and convenient access to the cab

Suspension and lighting concept



# The name says it all.

The combined electronic competence of CLAAS can be summed up in a single word: EASY.

This stands for Efficient Agriculture Systems, and lives up to its name. From machine optimisation with CEMOS AUTOMATIC through steering systems and fleet management via TELEMATICS to farm management software, EASY makes it all simple. Your systems can be matched perfectly with each other, enabling you to get the best performance from your machines and drivers and top results for your operation.



EASY –  
Efficient Agriculture Systems

Even greater control.



### ISOBUS implement control.

A socket is provided at the rear so that ISOBUS-compatible implements can be connected to the tractor. The ISOBUS terminal can be connected up in the cab using another socket. The attached implement is operated by means of a machine-specific display.



S10



S7



COMMUNICATOR

### The way you want it.

Portable displays from CLAAS offer a flexible control option for ISOBUS and steering systems. The terminal can also be moved from one tractor or self-propelled harvester to another, depending on the season or job in hand. Fit your AXION 800 with the equipment you need, straight from the factory or as a retrofit option:

- S10: 10.4" high-resolution touchscreen terminal with steering and ISOBUS functions: up to four cameras can be viewed
- S7: 7" high-resolution touchscreen terminal with steering functions
- COMMUNICATOR: 5.7" terminal with ISOBUS functions



# Always on the right track. CLAAS steering systems.



### Improve the quality of your work.

CLAAS steering systems take the pressure off the driver. They show in advance which direction to take, or automatically steer the tractor along the best possible path. Mistakes and overlapping are eliminated. Studies have shown that a modern parallel guidance system can save up to 7% on diesel fuel, machine costs, fertiliser and crop protection products.

CLAAS steering systems are controlled by the S10 and S7 touchscreen terminals (see page 35) which feature a very simple and user-friendly menu-guided interface.

### Automatic steering at the headland.

The AUTO TURN function takes care of turning manoeuvres at the headland. The direction of the turn and the next track to be worked are pre-selected on the terminal. The steering system does the rest.

### Correction signal to meet individual needs.

The design of the CLAAS range enables you to extend your system easily at any time. This applies just as much to the terminal technology as to the use of today's essential correction signals.

CLAAS steering systems can be used with GPS and GLONASS satellite systems to enhance their flexibility and operational capabilities.



### The correction signals.

#### RTK

- +/- 2 to 3 cm
- Base station
- Range approx. 15 km
- Own reference station or reference signal is provided by the local dealer
- Highest possible repeatable accuracy

#### RTK NET

- +/- 2 to 3 cm
- Correction signal via mobile phone network
- Dual-frequency signal
- Unrestricted working radius
- Highest possible repeatable accuracy
- Subject to licence

#### BASELINE HD

- +/- 4 to 6 cm
- Mobile reference station
- Range 3 to 5 km
- Free of licence fees
- Internal correction signal
- Integrated rechargeable battery

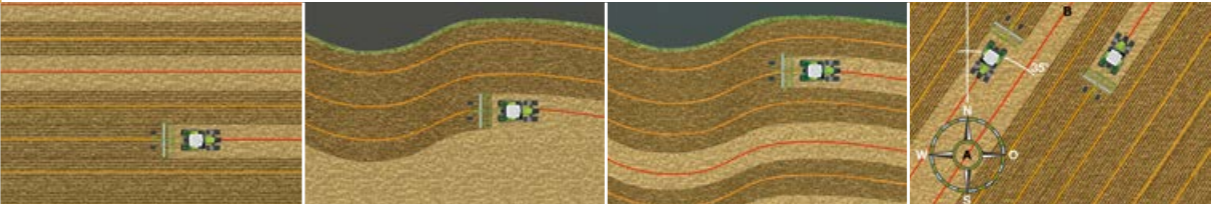
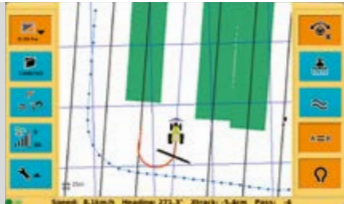
#### OMNISTAR XP / HP / G2

- +/- 5 to 12 cm
- Satellite-based correction signal
- Dual-frequency signal
- Subject to licence

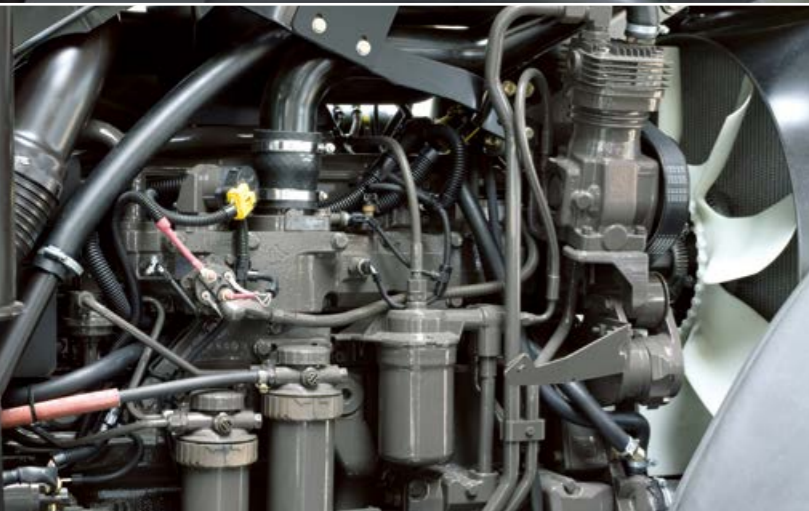
#### EGNOS / E-DIF

- +/- 15 to 30 cm
- Free of licence fees
- Base accuracy

For further information about steering systems, see the CLAAS Steering Systems brochure or ask your CLAAS dealer.



Shorter maintenance times.  
Longer service intervals.



Quick maintenance, thanks to easy accessibility.

The AXION 800 clearly comes up trumps in terms of maintenance. The one-piece bonnet allows you easy access to all the important service and maintenance points, and easy exchange of parts. This means that all maintenance operations can be conducted with just a few simple steps.

- Simple oil check
- Easy to top up
- Quick cleaning or replacement of the air filter
- Straightforward cleaning of the cab air filter
- Each radiator is easily accessible
- Good access to the engine oil and diesel oil filter

Lower costs, thanks to long maintenance intervals.

The AXION 800 boasts particularly long service intervals. This means that you can get loads of jobs under your belt before having to think about maintenance – and you don't need to tie a knot in your handkerchief to remember when the next service is due. The CIS looks after your schedule and notifies you in good time.

The benefits for you:

- You have access to the most important maintenance points
- CIS keeps you up to date with regard to the maintenance status
- You can easily carry out simple maintenance tasks yourself
- Long maintenance intervals allow you greater flexibility of operation
- Long-term maintenance also means lower costs



# Whatever it takes. CLAAS Service & Parts.

## Your requirements count.

You can always rely on us: we'll be there whenever you need us. Everywhere. Fast. Reliable. 24 hours a day if necessary. With a complete solution for your machine or business. Whatever it takes.

## ORIGINAL parts and accessories.

Specially matched to your machine: precision-manufactured spare parts, high-quality consumables and useful accessories. We will supply exactly the right solution from our comprehensive product range to ensure that your machine is 100% reliable. Whatever it takes.

## Always quick on the scene.

A tight-knit service network and personal contact partners ensure that we are always easily accessible – from sales staff to technical support and customer service. Whatever it takes.

## Always up to date.

CLAAS dealers are among the most efficient agricultural technology businesses in the world. Our service teams are ideally qualified and equipped with the all-important special tools and diagnostic systems. CLAAS Service stands for high-quality work which meets all your expectations with regard to expertise and reliability. Whatever it takes.

## Planned reliability.

Our service products help you to increase machine reliability, minimise the breakdown risk and base your calculations on predictable costs. CLAAS MAXI CARE offers planned reliability for your machine. Whatever it takes.

## Worldwide coverage from Hamm.

Our central spare parts warehouse delivers all ORIGINAL parts quickly and reliably all over the world. Your local CLAAS partner can supply the right solution for your harvest or your business within a very short time. Whatever it takes.



CLAAS Service & Parts

# These outstanding features speak for themselves.

## CPS

- AXION 820 and 850 with rated output from 189 and 233 hp to ECE R 120 standard
- Up to 35 hp reserve power with CLAAS POWER MANAGEMENT
- Top engine technology for economical fuel consumption
- HEXASHIFT transmission
- 40 or 50 km/h at reduced engine speed
- Matched transmission and rear axle for high efficiency
- High power-to-weight ratio without ballast
- Rear tyre diameters up to 2.05 m
- Up to 400 kg wheel weight per rear wheel
- Fully integrated front linkage and front PTO
- Up to three PTO speeds available
- Extended maintenance intervals
- Good accessibility

## Comfort

- 4-point suspended cab
- CIS on-board computer for machine monitoring and configuration
- Multifunction armrest
- DRIVESTICK to operate the transmission
- Long wheelbase with shorter overall length
- Air-suspended seat
- Vibration damping for front and rear linkage
- Automatic climate control

## EASY

- GPS steering
- GPS PILOT with S10 and S7 touchscreen terminal
- ISOBUS-ready
- Automatic engagement/disengagement of four-wheel drive, differential and PTO
- CAN BUS technology

AXION		850	820
<b>Dimensions</b>			
Length (with front weights and trailer hitch) (e)	mm	5684	5684
Centre rear axle – cab upper edge (a)	mm	2335	2278
Overall height (b)	mm	3203	3153
Wheelbase (c)	mm	2985	2985
Distance, rear axle – lower link (d)	mm	1312	1312
<b>Weight</b>			
(standard tyres, with oil and fuel, without driver)			
Weight without ballast	kg	7900	7400
Max. front ballast without front linkage	kg	904	904
Max. permissible gross weight (40 km/h version)	kg	14000	12000
Max. permissible gross weight (50 km/h version)	kg	12000	12000
<b>Ground clearance</b>			
Front axle (f)	mm	587	568
Rear axle (g) (without drawbar)	mm	564	515

AXION		850	820
<b>Tyres</b>			
Rear tyres	Front tyres		
20.8 R 38 (520/85 R 38)	16.9 R 28 (420/85 R 28)	–	□
20.8 R 42 (520/85 R 42)	16.9 R 30 (420/85 R 30)	–	□
580/70 R 38	480/70 R 28	–	□
580/70 R 42	480/70 R 30	–	□
620/70 R 42	480/70 R 30	□	□
650/65 R 38	540/65 R 28	–	□
650/65 R 42	540/65 R 30	□	□
650/75 R 38	540/75 R 28	□	□
710/70 R 38	600/65 R 28	□	□
IF 710/60 R 42	IF 600/60 R 30	–	□
650/85 R 38	540/65 R 34	□	–
650/85 R 38	600/70 R 28	□	–
650/85 R 38	600/70 R 30	□	–
IF 650/85 R 38	IF 600/70 R 30	□	–
710/70 R 42	540/65 R 34	□	–
710/70 R 42	600/70 R 28	□	–
710/70 R 42	600/70 R 30	□	–
IF 710/70 R 42	IF 600/70 R 30	□	–

● Standard ○ Optional □ Available – Not available



AXION		850	820
<b>Engine</b>			
Manufacturer		DPS	DPS
Number of cylinders / intake		6/TI	6/TI
Cubic capacity	cm <sup>3</sup>	6788	6788
Nominal engine speed	rpm	2200	2200
Output at nominal engine speed (ECE R 120) <sup>1</sup>	kW/hp	171/233	139/189
Max. output (ECE R 120) <sup>1</sup>	kW/hp	175/238	145/197
Max. output with CPM (ECE R 120) <sup>1</sup>	kW/hp	197/268	170/232
Output at nominal engine speed (ECE R 24)	kW/hp	165/225	135/183
Max. output (ECE R 24)	kW/hp	169/230	142/193
Max. output with CPM (ECE R 24)	kW/hp	193/260	166/227
Output at nominal engine speed: 97/68/EC <sup>2</sup>	kW	187	165
Max. output at engine speed	rpm	2000	2000
Constant output	rpm	400	400
Engine speed at max. torque	rpm	1500	1500
Max. torque	Nm	1020	897
Electronically controlled injection pump		●	●
Air filter dust aspiration		●	●
Fuel tank capacity	l	503	407
Oil-change interval	h	500	500
<b>HEXASHIFT transmission</b>			
Ratios F/R		24/24	24/24
Ground speed (min./max.) 40 km/h version	km/h	1.58/40	1.72/40
Ground speed (min./max.) 50 km/h version	km/h	1.58/50	1.72/50
REVERSHIFT clutchless reverser		●	●
Powershift speeds		6	6
Electrohydraulically controlled ranges		4	4
HEXACTIV		●	●
Creep range	km/h	0.5	0.5
<b>Rear axle</b>			
Electrohydraulically activated differential locks		●	●
Automatic differential locks		●	●
Max. rear tyres		650/85 R 38	650/75 R 38
<b>PTO</b>			
Wet multi-disc clutch		●	●
Remote control of engagement and emergency stop		●	●
540/1000		●	●
540/540 ECO/1000		○	○
Changeable PTO stub		●	●
Number of splines		6/8/20 or 21	6/8/20 or 21

<sup>1</sup> Approximates ISO TR 14396

<sup>2</sup> Performance data fit criteria for admissibility. Performance as per 97/68/EC is identical to 2000/25/EC.

● Standard ○ Optional □ Available – Not available

AXION		850	820
<b>Four-wheel drive front axle</b>			
Wet multi-disc clutch		●	●
Electrohydraulic operation		●	●
Automatic 4-wheel drive		●	●
Max. steering angle	degrees	55	55
Castor angle	degrees	5	5
Angle of oscillation	degrees	10	10
Turning radius	m	5.19	5.15
Track	mm	1995	1968
with tyres		480/70 R 30	16.9 R 28
Pivoting mudguards		○	○
<b>Hydraulics</b>			
Load-sensing circuit		●	●
Output at rated speed, standard (option)	l/min	110 (150)	110 (150)
Max. operating pressure	bar	200	200
Number of mechanical spool valves (min.–max.)		3–4	3–4
Flow control		●	●
<b>Rear linkage</b>			
Max. lifting capacity at ball ends	kg	10229	9676
Continuous lifting power at ball ends	kg	6012	6227
Vibration damping		●	●
Active wheel slip control		○	○
25 amp socket		●	●
<b>Front linkage</b>			
Lift capacity	t	3.3/5.4	3.3/5.4
Front PTO 1000 rpm		○	○
<b>Cab</b>			
4-point suspension		●	●
Multifunction armrest		●	●
Air conditioning		●	●
Passenger seat		●	●
Cooler compartment		●	●

CLAAS continually develops its products to meet customer requirements. This means that all products are subject to change without notice. All descriptions and specifications in this brochure should be considered approximate and may include optional equipment that is not part of the standard specifications. This brochure is designed for worldwide use. Please refer to your nearest CLAAS dealer and their price list for local specification details. Some protective panels may have been removed for photographic purposes in order to present the function clearly. To avoid any risk of danger, never remove these protective panels yourself. In this respect, please refer to the relevant instructions in the operator's manual.

All technical specifications relating to engines are based on the European emission regulation standards: Stage. Any reference to the Tier standards in this document is intended solely for information purposes and ease of understanding. It does not imply approval for regions in which emissions are regulated by Tier.

● Standard ○ Optional □ Available – Not available



CLAAS KGaA mbH  
Mühlenwinkel 1  
33428 Harsewinkel  
Deutschland  
Tel. +49 5247 12-0  
claas.com