



Tractors

XERION

5000 4500

CLAAS



Working hard to make your job easier.

Test drive the new XERION.

Some tractors only feel good when they are being pushed to their limits. Doing what they are built to do. Like the XERION. Uniquely designed for maximum slip control, tractive performance and high horsepower jobs.

And since we listen to our customers, we know that even the best machines always have a little room for improvement: a chassis that is more gentle on the soil, impressive engine power and even more user-friendly controls. Test drive the new XERION and make hard work easier.



Discover the new XERION in all its versatility.

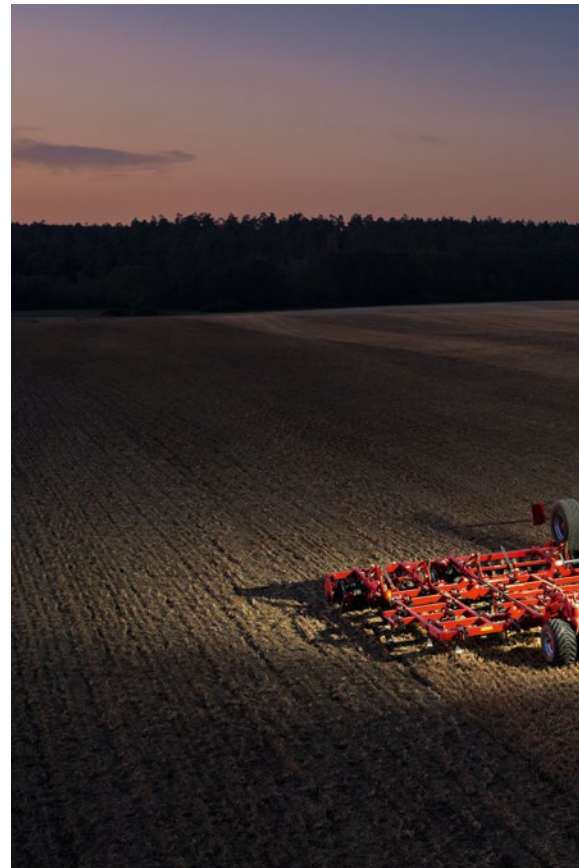


Pile on the work.

XERION 5000 delivers a maximum torque of 1,917 ft-lb. at the flywheel.
Page 12

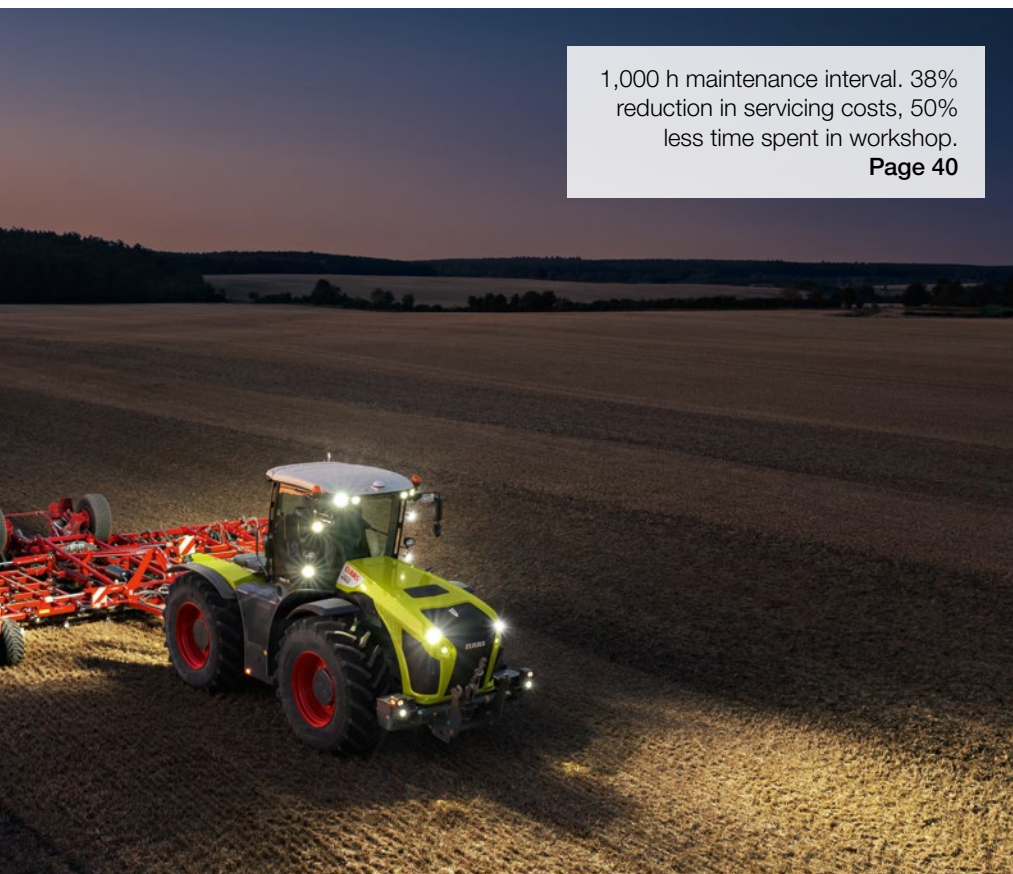


CEBIS with touchscreen. Built into the new tractor armrest.
Page 31





TRAC VC.
Variable Cab - most convenient
reverse-driving system imaginable.
Page 10



1,000 h maintenance interval. 38%
reduction in servicing costs, 50%
less time spent in workshop.
Page 40

TRAC concept	6
TRAC	8
TRAC VC	10

CLAAS POWER SYSTEMS

Engine	12
Transmission	14
Construction	16
Ballasting	18
Hitches and PTO	20
Hydraulics	22
Front and rear linkage	24

Cab and comfort

26	
Comfort	28
Control concept	30
CEBIS version	32

Operator assistance systems and data management

34	
CSM headland management	36
Data management	38

Maintenance

40	
Features	44
Specifications	46
CLAAS Service & Parts	47



Discover all the new
features of the
XERION.

Power equals efficiency.

Two versions. Unique build concept.

There is nothing quite like the XERION. You'd recognize it instantly: four equal-sized wheels or duals on two steered axles, full-frame construction for carrying enormous loads, continuously variable transmission up to 530 hp and the intuitive operation that you only get from CLAAS.

- TRAC with fixed cab (page 8)
- TRAC VC with rotating cab (page 10)

Six benefits. Endless possibilities.

- Four equal-sized wheels or dual tires convert engine power into tractive power
- Two steered axles offer seven or eight standard steering modes for a wide range of applications
- Add up to 7.5 ton US ballast at the front and rear
- The fully load-bearing frame can support loads of up to 16.5 tons US per axle
- Continually variable transmission delivering up to 530 hp helps you to reduce fuel consumption
- Operate the XERION intuitively with the CEBIS touchscreen



1 Four equal-sized wheels.

- Duals up to 710/75 R42 and single tires up to 900/60 R42 from the factory
- Comfortable road travel at up to 31 mph
- Footprint approx. 42 f² with 900/60 R 42 tires and 14.5 PSI
- No more than 117 inch wide with 800/70 R38 tires



2 Dual tires.

- Dual tires for a high level of soil protection
- Suitable for tire dimensions 650/85 R 38, 710/70 R 42 and 710/75 R 42
- Rims on outer wheels are firmly bolted to the inner rims with spacer rings
- Optional split spacer rings allow for rapid removal of the outer wheels

XERION TRAC.

Unbeatable in the field.

TRAC with central cab.

The XERION TRAC is the best option if arable work is your main focus. It has a suspended comfort cab in the middle of the vehicle and large windows for unique all-round visibility.

How you benefit:

- In the field you have the advantage of high traction and greater pulling power
- Ballasting and an optional mid-ship ball for goose neck hitches ensure that all loads are evenly distributed across the two driven axles
- The large tire contact area protects the soil

Applications.

Tillage.

Equal-sized wheels provide excellent tractive power. The weights are ideally distributed and the machine is very easy to ballast.

Drilling.

You can achieve high work rates and save fuel thanks to the carefully tuned engine management system.

Field transport.

Superb pulling power gets the job done quickly. The CMATIC transmission offers a high level of driving comfort.

Slurry application.

Twin priority hydraulics deliver up to 72 GPM. It has a turning circle of just 51.5 ft and crab steering to protect the soil.





XERION TRAC VC. Reversing has never been so comfortable.

TRAC VC with the rotating cab.

Some applications require particularly good visibility to the rear of the tractor. The rotating cab (VC stand for Variable Cab) is the most convenient reverse-drive system imaginable. At the press of a button, you can rotate the entire cab from its central position to the rear-facing position above the rear axle in seconds.

How you benefit:

- Perfect view of rear attachments
- The controls rotate automatically with the cab
- All functions remain the same when operating in the rear position
- The new armrest with integrated CEBIS touchscreen makes it even more straightforward to operate
- Enjoy a high level of on-road comfort with the cab in the central position

Applications.

Silage operations.

Enormous pushing power combined with crab steering for optimal compaction.

Wood chipping.

The XERION is ready to go, with excellent all-round visibility and plenty of power through the PTO.

Mulching.

High power is delivered to the PTO even at low speeds, reducing your hourly fuel consumption.

Snow blowing.

CMATIC enables precision driving from a speed of 0.03 mph. Ground clearance is impressive and you get an unrestricted view.





Power where you need it.

Impressive performance.

CLAAS POWER SYSTEMS combines powerful 6-cylinder Mercedes-Benz engines with a simple drive train. Enormous torque is available with both machines even in lower engine speed ranges. The XERION 5000 delivers a maximum torque of 1,917 ft-lb. at the fly-wheel. The low-speed concept reduces the engine idling speed from 800 rpm to 730 rpm.



Designed to save fuel.

- Extremely powerful engines even in the low speed range
- Constant torque curve at high level
- Exhaust gas aftertreatment fully integrated without impeding visibility
- Intelligent cooling with fuel-saving fan speed control
- Radiators can be cleaned on the move by pressing a button to reverse the fan

Integrated exhaust gas aftertreatment.

- Stage IV F thanks to SCR technology, diesel particulate filter (DPF) and diesel oxidation catalyst (DOC)
- Tucked away under the cab



XERION		5000	4500
Number of cylinders		6	6
Cubic capacity	cm ³	12800	12800
Output at nominal engine speed (ECE R 120) ¹	kW/hp	374/509	353/480
Max. output (ECE R 120) ¹	kW/hp	390/530	360/490
Max. torque (ECE R 120) ¹	ft.-lb.	1917	1770

¹ Meets ISO TR 14396

Latest generation of engines.

- 6-cylinder in-line Mercedes-Benz engines
- Maximum output from 462 to 530 hp
- Common rail injection and 24 V starter motor



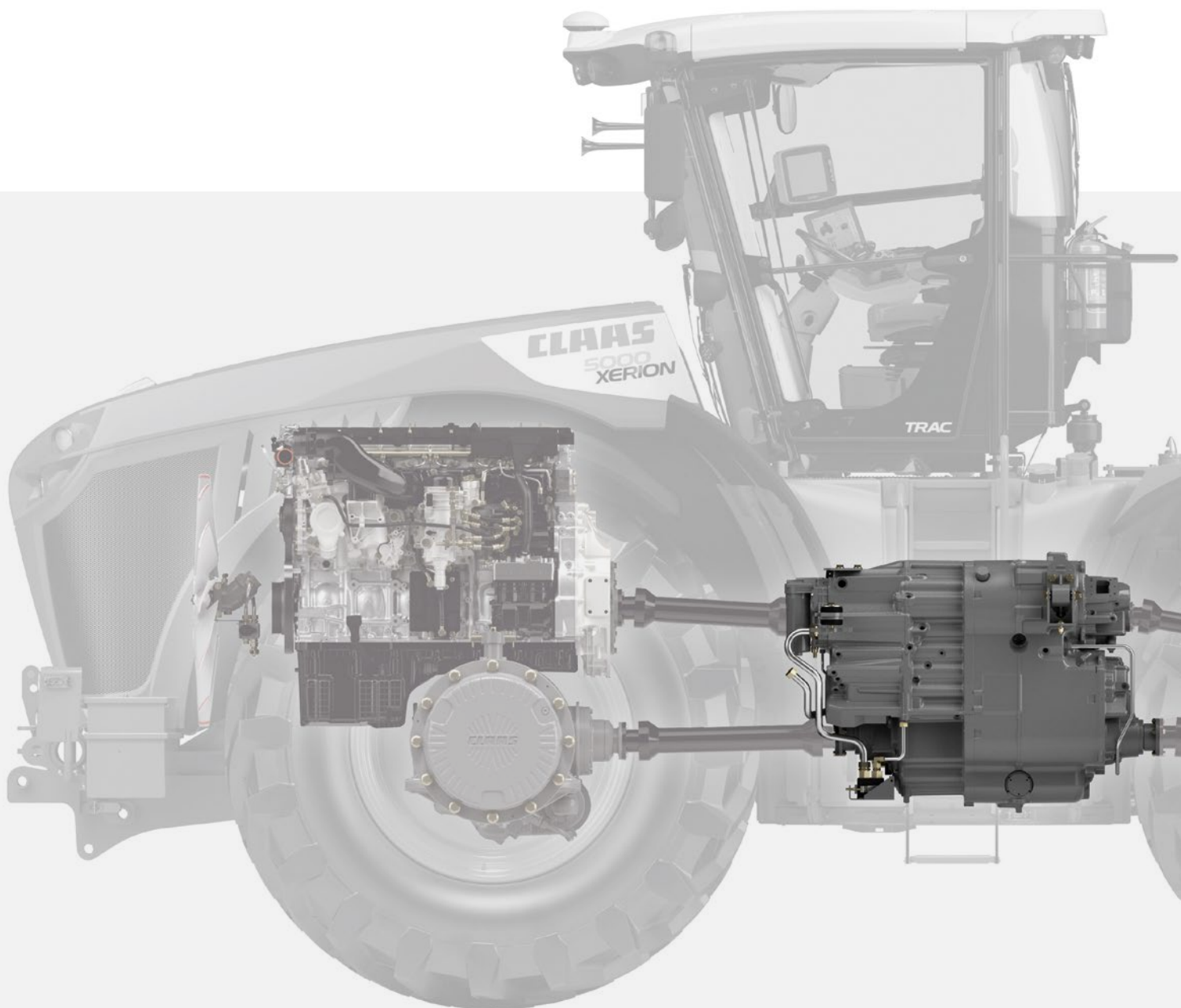
Continuously variable transmission for enhanced performance.

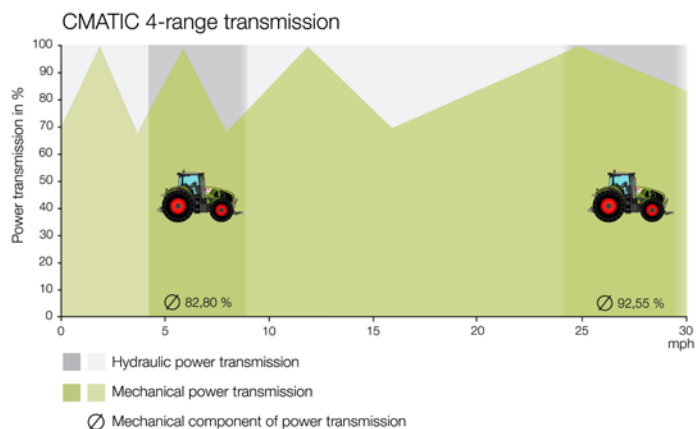
Unique in this hp class.

The CMATIC continuously variable transmission from ZF is in a class of its own. From 0 to 31 mph you have the benefit of outstanding driving comfort as well as efficient power transmission provided by a high mechanical component.

The linear drivetrain ensures that engine power reaches the axles and PTO by the most direct route. Selectable longitudinal and transverse differentials provide optimum power transfer.

The accelerator pedal and CMOTION multifunction control lever are designed for simple and intuitive operation. During field work or at constant PTO speed the ground speed automatically adapts to the conditions. You can reduce fuel consumption noticeably by making simple adjustments to the engine droop settings.





CMATIC 4-range transmission.

The high mechanical component of the CMATIC transmission provides outstanding efficiency and low fuel consumption in every speed range.

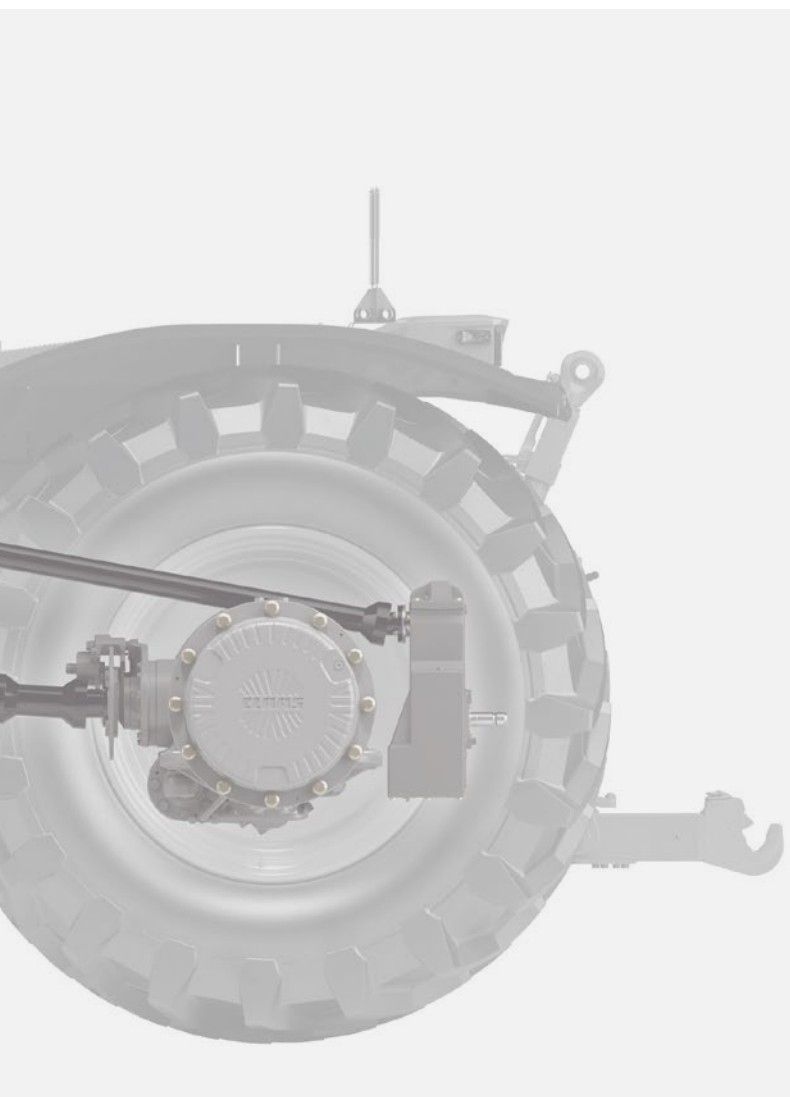


Short transfer times at 31 mph.

The wheeled version of the XERION can reach speeds of up to 31 mph depending on the type of transmission. With the cab rotated, you can also travel backwards at up to 31 mph.

Standing firm.

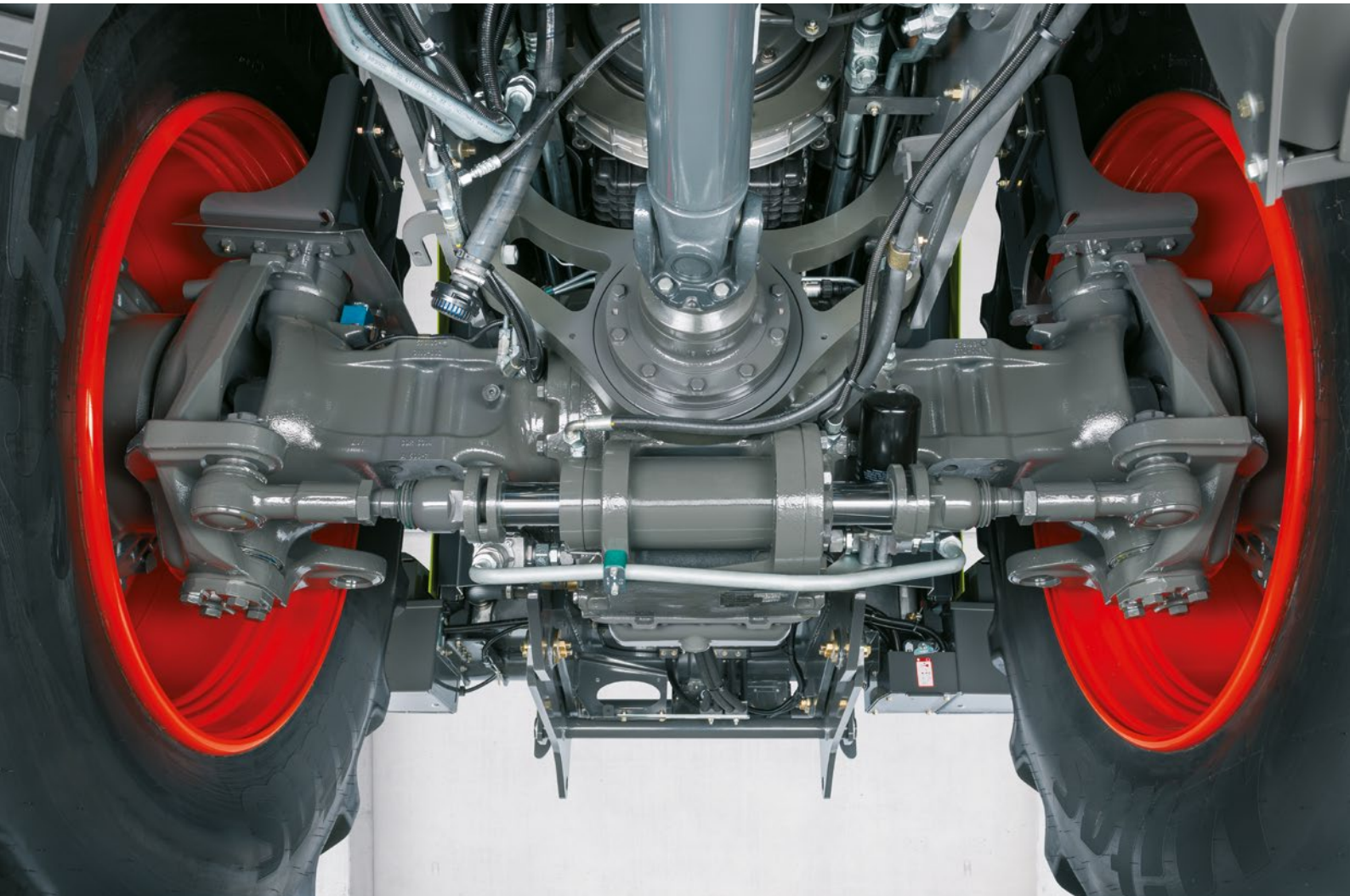
The XERION slows to a stop as soon as the driver takes their foot off the accelerator. There is no need to apply the brakes – the tractor remains stationary.



Power equals efficiency.

- CMATIC transmission technology for continuously variable driving comfort from 0 to 31 mph
- Linear drivetrain configuration for direct transfer of engine power
- Permanent four-wheel drive
- Four automatically activated driving ranges for high efficiency
- Large contact area for enormous tractive performance
- User-friendly operation via accelerator pedal or multifunction control lever

Seven steering modes make it remarkably agile.



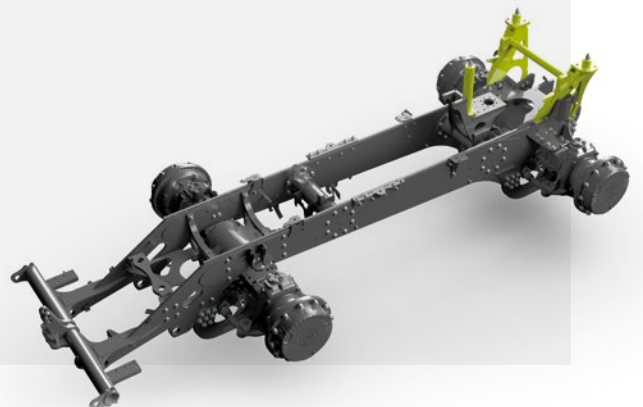
Built for extreme loads.

The XERION is ideal for carrying heavy loads thanks to its unique frame construction. Bolted rather than welded cross-beams in the frame provide greater strength and load-carrying capacity. The heavy-duty axles are designed to carry loads of up to 16.5 tons per axle at speeds of up to 31 mph. Despite its size and weight, with two steered axles the XERION is remarkably agile and maneuverable.

The 110 mm ball hitch for attaching large slurry tankers and other large implements is located immediately behind the cab. It distributes the load of the attached tanker across both axles, while the long 3.6 m wheelbase provides a high level of driving comfort.

Stability you can count on every day.

- Durable, extremely robust full frame
- Heavy-duty axles with 16.5 tons axle load up to 31 mph
- Fully integrated linkage with load capacities of up to 9.2 tons at the front and 15 tons at the rear



1

Benefit:

High stability on the road

Main applications:On-road operation
Field transport (transfer vehicle)

2

Benefit:

Highly maneuverable

Main applications:Tillage
Drilling

3

Benefit:

Drift correction keeps tractor on track

Main application:

Tillage and drilling on a slope



4

Benefit:

Protects the soil (no double rolling action)

Main application:

Slurry spreading



5

Benefit:

Maximum utilization of contact surface

Main application:

Silage clamp work

**The right steering for every job.**

The two steering axes on the XERION can be steered in seven different ways, and remain active on the headlands.

1 Standard steering program.

- Four-wheel and front-axle steering combined
- From 5° steering lock on the front axle, the rear axle follows the front axle electrohydraulically
- The steering lock is continuously reduced from 7.5 mph
- Fully locked at 25 mph

DYNAMIC STEERING option.

- The number of turns of the steering wheel needed to reach maximum wheel lock is significantly reduced according to the speed.
- More comfortable and dynamic turning at the headland

2 Four-wheel steering.

- Rear axle is steered at the same time as the front axle but in the opposite direction
- Axles move simultaneously

3 Single-sided crab steering.

- Rear axle controlled separately via the CMOTION multifunction control lever

4 Gentle mode (reduced crab steering).

- Rear axle moves along a parallel track to front axle
- 75% of steering lock can be used
- Steering corrected up to 4° by the steering wheel via the front axle

5 Full crab steering.

- Rear axle moves along a parallel track to front axle
- Rear axle steered once via the CMOTION multi-function control lever
- Minor steering corrections possible

Get the ballasting right for optimum efficiency.

Fuel-efficient ballasting.

Tractors all too often carry too much weight. But over-ballasting does not boost tractive performance – it simply increases fuel consumption. With the XERION it's easy to adjust the ballasting precisely to suit the task. The 882 lb. ballast plates can be quickly changed and secured with quick-release fasteners.

Front ballast.

You can add 7,496 lb. of ballast to the front of the XERION. The base weight weighs 2,300 lb and can take up to four additional 882 lb plates. It is available in two versions: one that can be attached to the front linkage and one that is fixed directly to the frame.

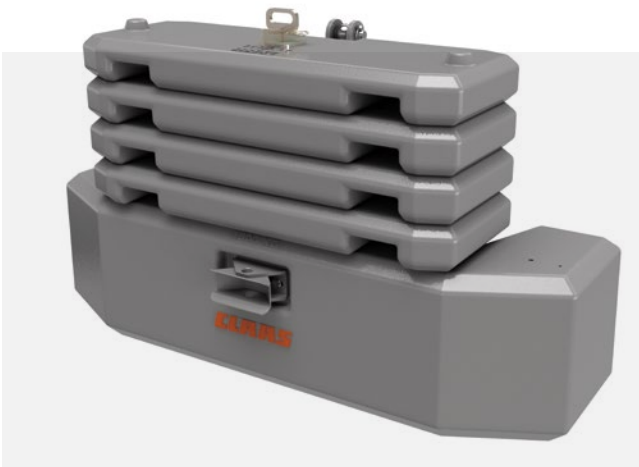
Rear ballast.

The rear of the XERION can also be ballasted with 7,496 lb. A 441 lb. fixed base plate can accommodate eight additional plates each weighing 882 lb. These can be quickly added or removed with a telehandler, wheel or front loader.

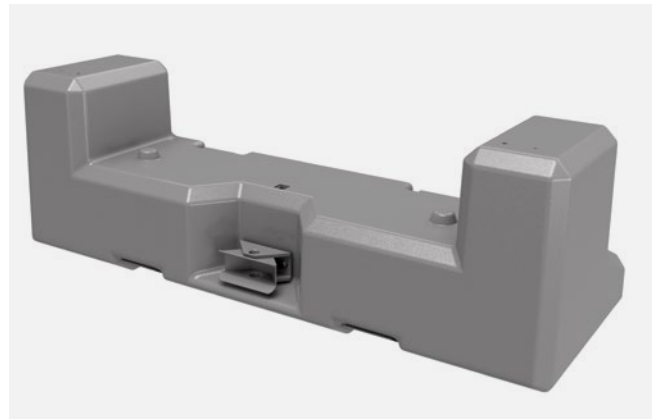
Three ballasting tips.

- 1 As much as necessary, as little as possible
- 2 In the field, the need for ballasting decreases as the ground speed increases
- 3 During field work, tire slip should average more than 6%, otherwise the tractor is carrying too much ballast





Base weight for the front linkage & variable front-mounted ballasting.



Fixed base weight.



Max. ground speed under full load	Max. permitted vehicle weight (incl. drawbar load of attachment in tons)
5 mph	26.5 tons
6 mph	24.8 tons
7 mph	20.4 tons

It's a good idea to estimate in advance the speed at which you plan to work with the attached implement. For example, if you ballast for a speed of 5 mph and then work at 7 mph, you're carrying almost 6 t of excess ballast. This has a noticeable effect on fuel consumption.

The right weight for every application.

- Add up to 7,496 lb of ballast at the front and the rear
- Weights are easy to add and remove
- All plates are held securely in place with a quick-release mechanism
- Get the ballast right and save fuel

Creating a strong attachment.



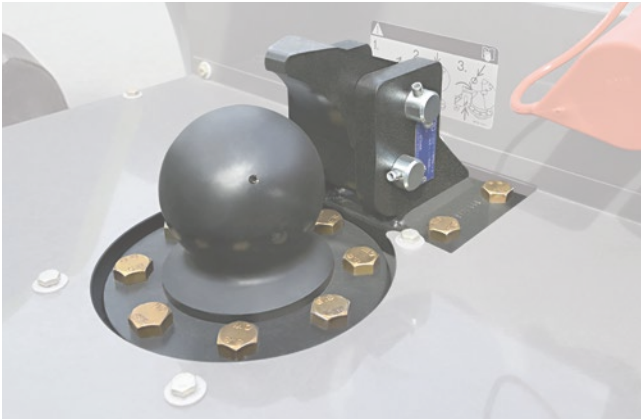
Hitch points and PTO for heavy loads.

With the XERION you can choose from a range of hitching options. Whether goose neck attachment, drawbar or trailer coupling, all systems are designed for high load-carrying capacity.

When the PTO is running at 1,000 rpm, the XERION develops its output at a reduced engine speed of 1,730 rpm. Thanks to the simple drive train design, much of the rated output is transferred to the PTO stub. This enables you to reduce your fuel consumption even when the XERION makes the full PTO output available.

Rest assured.

- All hitching systems are designed for high load-carrying capacity
- The goose neck hitch can take a drawbar load of up to 16.5 tons
- The PTO provides full power even at reduced engine speed
- The PTO stubs can be replaced quickly and easily
- You have a choice of different drawbars with:
 - Swinging drawbar with a 2 inch pin, auto drop pin, and 11,00 of vertical load capacity
 - Fixed drawbar with 2 inch (optional 2.75 inch) pin and 22,000 lbs of vertical load capacity



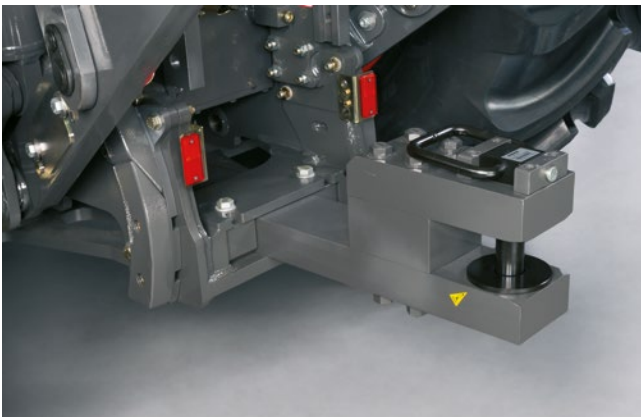
Swanneck.

The swan neck coupling with its 4 in hitch ball is designed to take a drawbar load of up to 15 t, which it distributes evenly across both axles. This type of hitch gives a smaller turning radius and a much shorter combination length than a tractor with a rear-mounted slurry tanker, for example.



Standard drawbar.

The standard drawbar features an 11,000 lb. VLC with a 2 inch auto pin. With three holes, you can vary the position of the attachment point. So whatever the application, you can always maintain the right distance from the rear axle.



Heavy duty drawbar.

The heavy duty drawbar features a 50 mm pin that is adaptable to 70 mm and a 22,000 lb. load capacity.



Quick-change PTO stubs.

The PTO stubs can be replaced quickly and securely. Choose from the following sizes:

- 1 3/4", 20 splines
- 2 1/4", 22 splines (Ø 57.7 mm)

Untap its full potential.

High performance at low engine speed.

The XERION is equipped with two load-sensing hydraulic circuits which can supply even large hydraulic consumers effortlessly and powerfully. They are controlled by separate electronic spool valves or via the convenient CMOTION multifunction control level. You can assign all ten function buttons to individual hydraulic functions.

1 Main circuit

Performance figures for the main circuit for the spool valves and linkages:

- 2,900 PSI
- 51.5 gpm for pump 1
- 59 gpm for optional pump 2
- 111.5 gpm max hydraulic flow
- Up to 37 gpm flow rate per valve
- 31.7 gallons l tank capacity

2 Secondary circuit.

For oil cooling, steering and brakes



Power Beyond at front and rear.

Power Beyond connections with large-diameter lines, flat-seal hydraulic couplings and hydraulic return line provide a high oil delivery rate with low losses.

The XERION has three double-acting spool valves at the front (max. two spool valves if a front linkage is installed). Eight further double-acting spool valves are available at the rear. With quick-release couplings, you can connect and disconnect them rapidly without risk of oil leaks.

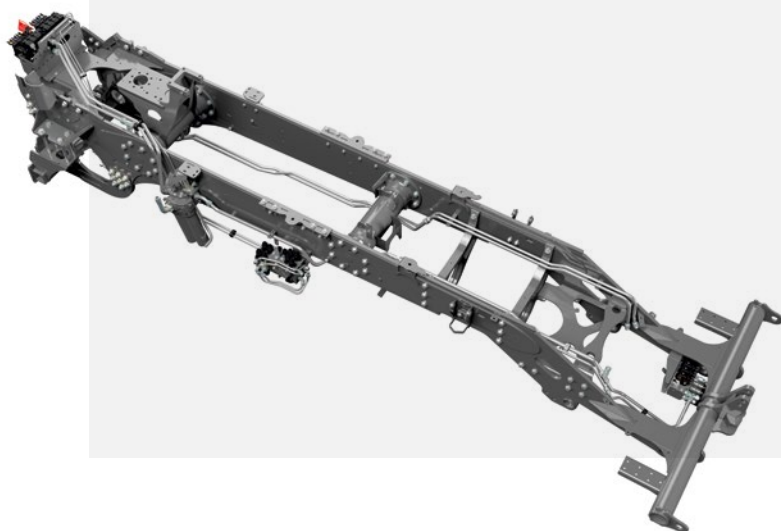




Enough pressure.

- Three hydraulic circuits supply your attached or mounted implements reliably and powerfully

- Up to ten double-acting spool valves available at the front and rear
- Strong power hydraulics perform convincingly even at low engine speeds
- Power Beyond connections with large-diameter lines maximize flow
- Conveniently controlled via the CMOTION multifunction control lever



Power means versatility.



Power enough for any job.

With an enormous continuous lift capacity of 8.9 tons at the front and 11 tons at the rear, the XERION handles even very heavy implements effortlessly.

With the CMOTION multifunction control lever you can control the front and rear linkage easily with your thumb without having to move your hand. This high level of operating comfort means that on long working days you can work quickly and accurately without tiring.

More horsepower and torque are just a few of the differences that separate the latest XERION generation from its predecessor. **See details on page 45.**

Equipped for any challenge.

- Continuous 8.9 tons lift capacity at the front and 11 tons at the rear
- Vibration damping for safe and comfortable working
- Reinforced front linkage for silage clamp work
- Convenient control via the CMOTION multifunction control lever



8.9 tons lift capacity at the front.

The front linkage is fully integrated into the frame. The lower links fold in easily to reduce the vehicle length. Further benefits include:

- Double-acting ram with continuous 8.9 tons lift capacity
- Quick and easy to attach front weights



11 tons lift capacity at the rear.

The rear linkage is equipped with vibration damping and category IV N hooks. For the top attachment point on the 3-point hitch at the rear, you can choose from a mechanical or hydraulic top link.

- Double-acting ram with continuous 11 tons lift capacity
- Internal sway block system for increased strength and flexibility
- Robust ball with Quick Hitch ends for extended periods working with the same implement

You've got a long day's work ahead.

Make yourself at home.

The more comfortable you feel at the wheel, the more productive you will be at work. That's something all drivers agree on. For the new XERION, we have taken on board many suggestions from professionals; more comfortable swivel seats, heated windows all the way round, intelligent assistance systems and a new arm-rest with integrated CEBIS touchscreen and ergonomic CMOTION multifunction control lever.





Comfort and concentration go hand-in-hand.



Comfortable, clearly laid out and quiet.

We have designed the XERION cab so there is nothing to distract you. Virtually no vibrations, exceptional all-round visibility, pleasantly low noise levels. Use the CMOTION multifunction control lever and the new armrest with integrated CEBIS touchscreen to control the tractor intuitively with just three fingers.

The new XERION comfort cab.

- Generously sized cab
- Large, heated windows for a perfect all-around view
- Outstanding sound proofing (only 69 dB max.)
- Intelligent semi-active cab suspension
- Rotating cab provides the most convenient reverse-drive system on the market (TRAC VC)
- Intuitive CMOTION multifunction control lever
- 12" CEBIS monitor with touchscreen
- 3-way adjustable steering column



- Automatic Climate Control
- 360 degree windshield wiper on the front windshield
- Sun shades on all four sides (optional)
- Lights activated from the steps



The TRAC VC has the most convenient reverse-drive system on the market. Its cab can be rotated through 180° in less than 30 seconds.



With 22 work lights, the XERION turns night into day. A premium LED lighting package is available on request.

Three new features to make your job easier.

- Comfortable swivel seat – with optional leather cover
- Heated windows(optional) for good visibility whatever the weather
- Armrest with integrated CEBIS touchscreen for efficient operation

The XERION – outstanding ergonomics.

We've listened to our drivers.

We worked with our customers and drivers to develop the control concept specifically for large CLAAS tractors. The new height-adjustable armrest is designed to keep the driver's arm and hand in a relaxed position without tiring. It also incorporates the easy-to-navigate 12" CEBIS touch-screen which allows you to switch between main and sub-menus with ease. The clearly arranged control and function buttons are labeled with self-explanatory symbols.

Three-finger operation.

The CMOTION multifunction control lever allows you to control complex processes with up to four control functions intuitively using only your thumb, index and middle finger – without moving your hand from its ergonomic position on the lever.



Developed by drivers for drivers.

- Control concept for efficient, fatigue-free work.
- Height-adjustable armrest with integrated CEBIS terminal with 12" touchscreen
- CMOTION multifunction control lever for intuitive control of the machine
- Clearly laid out controls with self-explanatory symbols

CMOTION makes light work of complex operations

- A Start up / change direction
- B Rear linkage
- C Activate GPS PILOT
- D Headland management CSM
- E F7 / F8 / F9 / F10 function buttons
- F Activate cruise control
- G F1 / F2 function buttons
- H F5 / F6 function buttons



The control panel is clearly arranged.

- | | |
|--|--|
| 1 CEBIS terminal with 12" touchscreen | 12 Electronic spool valves |
| 2 Front linkage operating position | 13 Hand throttle |
| 3 Rear linkage operating position | 14 ELECTROPILOT with two double-acting spool valves and two assignable F buttons |
| 4 Parking brake | 15 Unlock ELECTROPILOT |
| 5 Reversible fan >1,300 rpm | 16 Engine speed memory |
| 6 Differential lock | 17 Engine speed memory settings |
| 7 Central position for pivoting linkage | 18 Select speed range |
| 8 Control of hydraulic low link stabilizers (optional) | 19 Driving mode |
| 9 Rear PTO on / off | |
| 10 Main switch power hydraulics | |
| 11 Power hydraulics on / off | |

Everything under control with CEBIS.

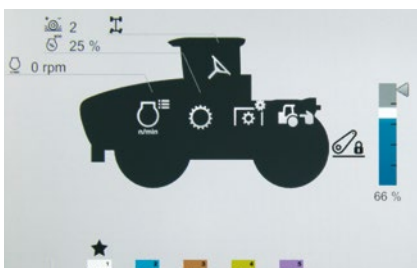


Fast operation with direct access.

CEBIS uses self-explanatory symbols and color coding to give a clear picture of the settings and operating statuses. Thanks to the clear CEBIS menu structure and touchscreen, all settings can be entered in just a few steps. A particularly attractive feature is the DIRECT ACCESS function with the machine silhouette.

Eye-catching 12" screen.

- 1 Machine silhouette for DIRECT ACCESS and status display
- 2 Spool valve status
- 3 Vehicle information
- 4 Top sub-field: transmission information
- 5 Middle sub-field: performance monitor
- 6 Bottom sub-field: function button assignment
- 7 Menu
- 8 DIRECT ACCESS via CEBIS touch button or button on the armrest
- 9 Dialog-based system for optimum settings



Machine silhouette for DIRECT ACCESS



CEBIS screen layout for road travel



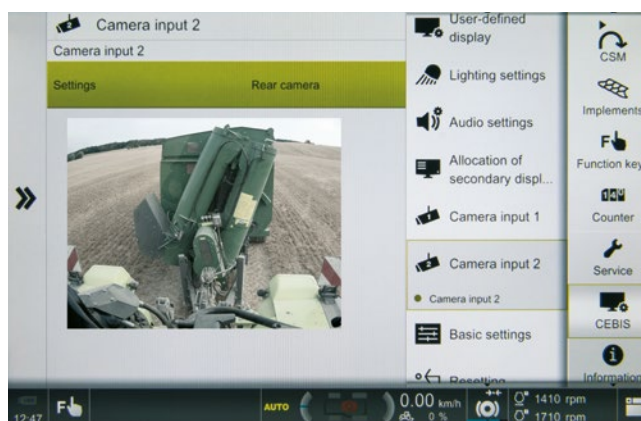
All machine functions at a glance.

- Fast and intuitive navigation using the CEBIS touchscreen
- Rapid access to the sub-menus with the DIRECT ACCESS touch button on CEBIS or button on the armrest
- Reliable navigation on uneven ground via rotary/push switch and ESC button on the armrest
- Two different screen layouts available (road travel and field work)
- ISOBUS function
- User type can be specified to extend the scope of CEBIS settings to suit driver experience
- Engine oil level displayed in CEBIS

Additional keypad in the armrest.

Many drivers prefer to use buttons, e.g. when bumpy ground reduces the accuracy of touchscreen operation. That's why we have incorporated a keypad into the armrest. With the rotary/push switch and ESC button you can safely navigate the entire CEBIS menu. The DIRECT ACCESS button takes you straight to the settings for the last used tractor function.

- 1 Menu navigation
- 2 Select
- 3 ESC button
- 4 DIRECT ACCESS button



High-resolution camera image.

When you are working or maneuvering to the nearest centimeter, a camera can be very useful. In the main CEBIS field you can toggle between machine silhouette, camera 1 and camera 2 with the tip of one finger. Up to two camera images are displayed in the sub-field.

The XERION thinks for itself.





Operator assistance systems.

There is no substitute for your experience. It's what allows you to respond quickly and appropriately to the challenges you face in your daily work. When you're dealing with difficult terrain or changing soil conditions, you have to make decisions very quickly to get the job done to the right standard. So it's good to know you can count on an intelligent tractor to assist you.

Data management.

Data has long since become an indispensable resource. To profit from its full potential, you should always keep a close eye on the results and know how to make use of it effectively. And that includes making sure all systems, machines and processes are meaningfully connected.

Perfect turning maneuvers in next to no time.

CLAAS SEQUENCE MANAGEMENT (CSM).

CSM headland management takes the load off the driver when maneuvering at the headland. Any previously recorded functions can be run simply by pressing a button.

The following functions can be combined in any order:

- Spool valves with time and flow control
- Four-wheel drive, differential lock and front axle suspension
- Front and rear linkage
- Cruise control
- PTO
- Engine speed memory

Easy to record and run.

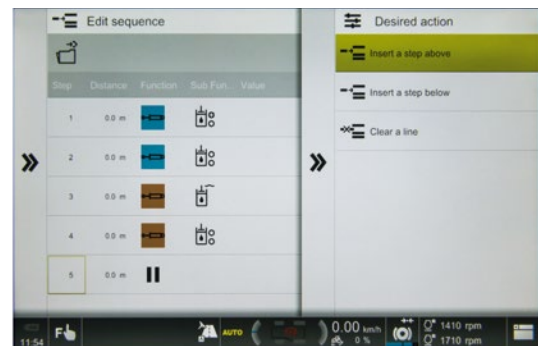
Sequences can be recorded on a distance- or time-related basis. In recording mode, clear symbols guide the driver step-by-step through the process of creating the sequence on the CEBIS color display. A sequence that is running can be paused and restarted simply by pressing a button.

Non-stop optimization with CEBIS.

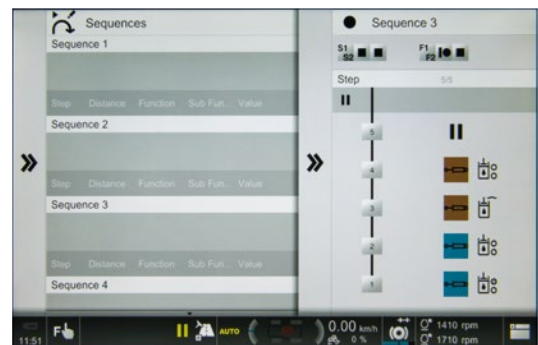
Recorded sequences can be changed and optimized in CEBIS at a later date. Steps can be added and deleted or changed and adapted in minute detail, allowing times, distances and flow volumes to be tailored to current conditions. Once a sequence has been recorded, it can be refined down to the last detail in just a few steps.



Set the parameters in the CSM overview. You can assign the function keys on the control lever as required.



It's easy to program the individual steps in the sequence



You can enter up to four sequences for four different implements or jobs



A tap is all it takes to start recording the sequence



Activate the sequence using the F buttons on the CMOTION control lever

Take it easy at the headland.

- CSM performs the turning maneuver for you
- You can record, vary, optimize and automatically run up to four sequences

Facts and figures are the foundation of good decisions.

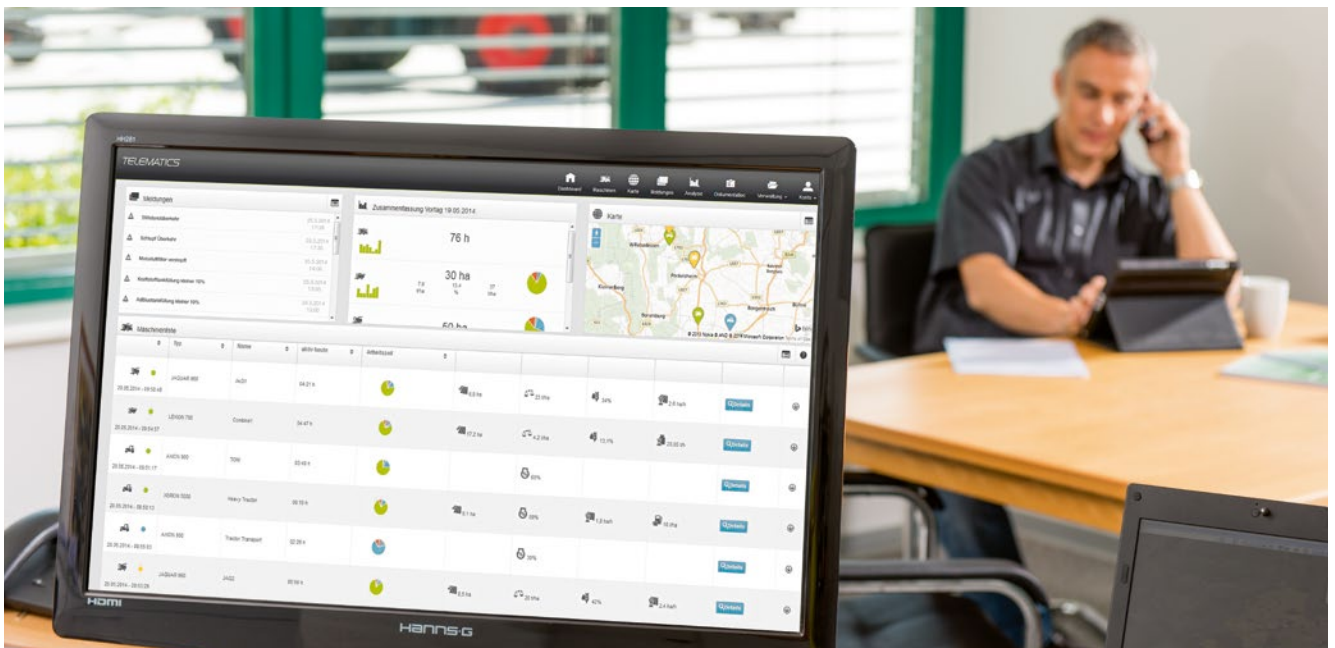
Farm management with CLAAS TELEMATICS.

TELEMATICS allows you to call up any information about your XERION at any time from any location. The data collected is sent to the TELEMATICS web server at regular intervals via the mobile phone network.

This brings you all kinds of benefits. You can optimize machine settings with remote monitoring, use remote diagnostics to cut down on service time, improve your work processes with operating time analysis and use data collection to simplify documentation.

With GPS positioning you can pinpoint the location of the XERION in the field or on the road. Even when you're on the move, you – or an authorized service partner – can access all the necessary information via a mobile connection and evaluate it via remote diagnostics.





Implement management with CEBIS.

In CEBIS you can record details for 20 attached implements and assign preset values to them. Settings can be transferred from one tractor to another via USB stick.

- Settings for transmission and spool valves
- Activate area calculation
- Working width of attached implement
- Four CSM sequences

Field management with CEBIS.

Up to 20 jobs can be saved and documented in CEBIS. Just enter the working width, then start the area calculation and fuel consumption display per acre.

Make the most of its innate intelligence.

- Access your machine data wherever you are with TELEMATICS
- Document finished work easily in CEBIS
- Store setting for 20 implements in CEBIS
- Record, process, and document multi-manufacturer machine data with DataConnect

DataConnect: the first direct cloud-to-cloud solution for agricultural machinery.

Up until now, farmers with mixed machinery fleets could only record, process and document their data using the machines and web portals of the individual manufacturers. With DataConnect, CLAAS, 365FarmNet, John Deere, Case, Steyr and New Holland have created the first direct multi-manufacturer, industry-wide open cloud-to-cloud solution. The machines transmit their data via an interface, allowing you to control and monitor your entire machinery fleet in the CLAAS TELEMATICS portal.



Connect your machines. Optimize your jobs.

Cut your maintenance costs by 38%.

1,000 hour engine service interval.

When we develop a new machine, we don't just talk to the drivers. We also consult the filter and oil manufacturers. With their help we have managed to double the engine service interval to 1,000 hours. So your tractor spends 50% less time in the workshop and you cut your servicing costs by up to 38%¹.

¹ Over a five-year period based on 1,000 operating hours per year





Fast maintenance means more time in the field.



A XERION is economical.

The machine does whatever it can to minimize downtimes. The engine needs servicing just every 1,000 hours. And CEBIS tells you when.

Simple radiator cleaning.

When it is time for maintenance, it can be done quickly and effortlessly. The engine oil filter and cab air filter are very accessible. The radiator assembly can easily be opened and cleaned by the driver as required.

What's more, at the press of a button the driver can reverse the direction of the fan from the cab to blow dust and dirt away from the radiators in seconds.

Clean engine intake air.

The XERION has an efficient system for precleaning the engine intake air. Cyclones separate out the coarse dirt which is then removed by the exhaust system. The PowerCore® engine air intake filter is extremely robust with high filtration performance.



One-piece hood

The one-piece hood provides quick access to all maintenance points. Four easily removable side panels provide additional access.

Optimal accessibility.

The engine oil filter is positioned within the full frame for easy access. You can access the coolant reservoir when the hood is closed. The batteries are safely installed at the front.

Double the maintenance interval.

We raised the bar: the XERION requires in-shop engine servicing once every 1,000 hours. Doubling the service interval results in cost savings of up to \$9,500.

Maintenance maintains the value.

- New 1,000 hour engine service interval
- One-piece hood for quick access to all maintenance points
- Coolant reservoir can be accessed when the hood is closed
- PowerCore® filter for cleaning the engine intake air
- Batteries safely protected

Service	Maintenance interval	Cost savings in USD
2	h 1000	1905
3	h 2000	3810
4	h 3000	5715
5	h 4000	7620
6	h 5000	9525

The XERION: built to impress.



The new generation.

- More performance: the XERION 5000 - up to 530 max hp
- More comfort: the CEBIS touchscreen is built into the specially developed armrest
- More time in the field: the new 1,000 hour maintenance interval cuts servicing costs by up to 38%
- More fuel savings: the XERION 5000 saves up to 5% more hp/hr/gal.

Proven design concept.

- Four equal-sized wheels, dual tires or crawler tracks convert engine power to tractive power
- Full-frame construction can carry enormous loads of up to 16.5 tons per axle at 31 mph
- Two steered axles offer up to seven steering modes for a wide range of applications
- CMATIC continuously variable transmission helps to save fuel

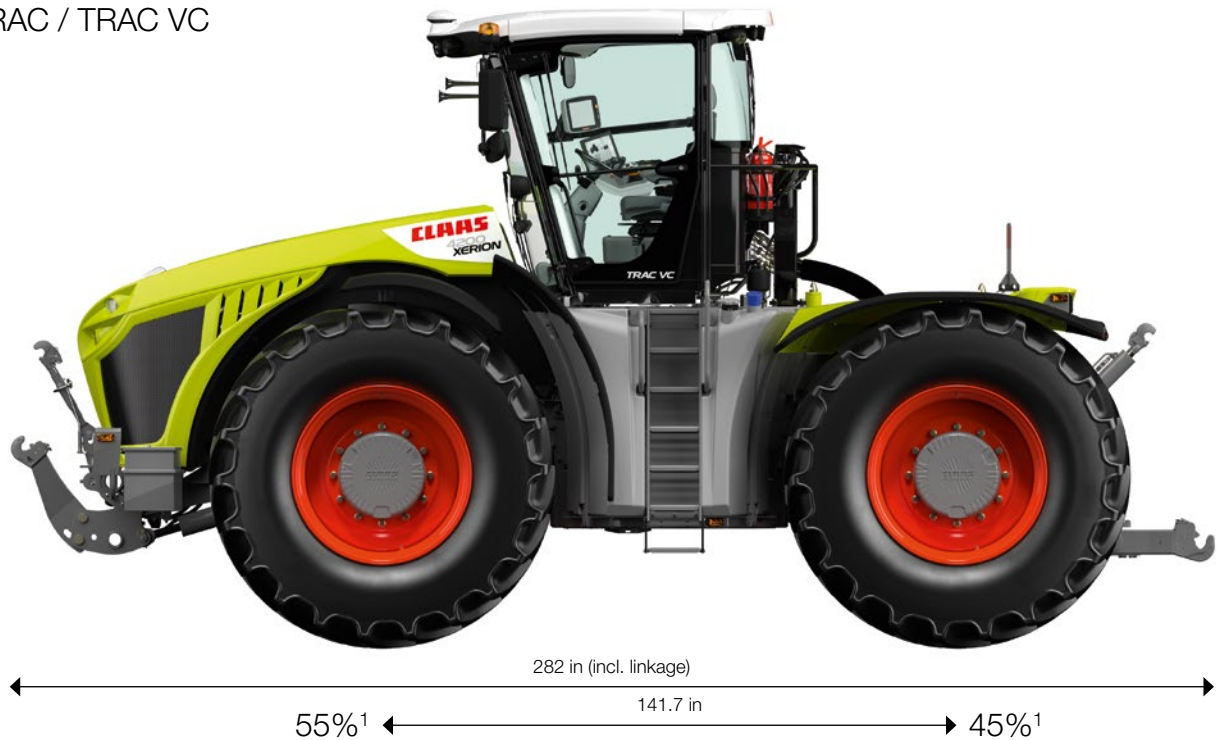
Powerful drive.

- Powerful 6-cylinder engines are combined with a simple drive train
- Enormous torque is available even in lower engine speed ranges
- The low-speed concept reduces the idling speed from 800 to 730 rpm and to maximum 1,700 rpm during heavy pull work
- All engines have SCR technology, particulate filters and diesel oxidation catalyst in compliance with Tier 4F/Stage 5.

Unrivaled comfort.

- The spacious cab offers excellent all-round visibility and sound proofing
- The rotating cab in the TRAC VC is the most convenient reverse-drive system on the market
- The CMOTION multifunction control lever and CEBIS 12" touchscreen are designed for intuitive operation
- Open Steering Interface means you can integrate many popular steering systems you currently use

TRAC / TRAC VC



¹ Long wheelbase and balanced weight distribution for more tractive and lifting power

Nebraska Tractor Test Lab.

Better fuel efficiency, more horsepower, and higher peak torque are just a few differences that separate the CLAAS XERION 5000 from its predecessor, according to Nebraska Tractor Test Lab results. The latest tractor series sets new records in fuel economy and power take-off performance.

More Horsepower & Torque.

The new XERION 5000 comes standard with a six cylinder Mercedes-Benz engine, producing up to 487 maximum horsepower – nearly a 2% improvement over the previous version. Peak torque also increased by 7% on the PTO (1,798 lb.-ft.) while torque rise has been clocked at 33% and the maximum at 43.3%, a significant jump from 35.2% in 2017.

Better Fuel Economy.

CLAAS reconfigured the tractor's fuel map in order to provide a higher torque at lower engine speeds for a more consistent and conservative trend in fuel consumption. Combined with the continuously variable CMATIC transmission (CVT), the XERION now offers more than 5% in fuel savings when comparing the models' hp.hr/gal. numbers.

 HORSEPOWER	2017 XERION	NEW 2021 XERION	% INCREASE
Rated Engine Speed (PTO at 1,098)	445.84	453.74	1.7%
Standard PTO Speed (1,000 rpm)	474.61	482.49	1.6%
Maximum Power at 1 Hour	478.23	487.14	1.8%

 GALLONS/Hr.	2017 XERION	NEW 2021 XERION	% MORE SAVED
Rated Engine Speed (PTO at 1,098)	24.71	23.85	3.5%
Standard PTO Speed (1,000 rpm)	25.05	24.47	2.3%
Maximum Power at 1 Hour	24.86	24.55	1.2%

 Hp.Hr/Gal.	2017 XERION	NEW 2021 XERION	% MORE SAVED
Rated Engine Speed (PTO at 1,098)	18.04	19.03	5.2%
Standard PTO Speed (1,000 rpm)	18.95	19.71	3.8%
Maximum Power at 1 Hour	19.23	19.84	3.1%

Assisting in decreasing fuel consumption even more, CLAAS also included a diesel particulate filter (DPF) for cleaning, as to not solely rely on the diesel exhaust fluid or SCR system. With these modifications, the engine can breathe easier so it does exactly what it was designed to do: create power.

Specifications.

XERION		5000 TRAC / TRAC VC	4500 TRAC/ TRAC VC
Engine			
Manufacturer		Mercedes-Benz	Mercedes-Benz
Number of cylinders		6	6
Cubic capacity	l	12.8	12.8
Nominal engine speed	rpm	1,900	1,900
Lower engine idling speed (gear in neutral)	rpm	730	730
Upper engine idling speed	rpm	1,920	1,920
Output at rated engine speed (ECE R 120) ¹	hp (kW)	517 (380)	476 (350)
Max. output (ECE R 120) ¹	hp (kW)	530 (390)	490 (360)
Max. torque (ECE R 120) ¹	lb/ft (Nm)	1,918 (2,600)	1,770 (2,400)
Fuel tank	gal (l)	245 (900)	245 (900)
Electrical system			
AC generator	A/V	100 A / 24 V + 240 A / 12 V	
Batteries	Ah/V	4 x 75 Ah, total 150/24, 150/12	
CMATIC transmission			
Transmission type		CMATIC	
Transmission type		Hydrostatic-mechanical, split-power	
Output		Four-wheel drive, permanent	
Max. speed	mph (km/h)	31 (50)	31 (50)
Power Take off			
PTO speed	rpm	1,000	1,000
Automatic PTO engagement/disengagement		●	●
Powered steered axles			
Differential locks		100% lockable, electrohydraulic actuation, lamella construction, with automatic function	
Brakes			
Service brake		Hydraulically actuated wet multi-disc brakes, auxiliary-power-reinforced, acting on all wheels	
Parking brake		Electrohydraulically disengaged spring-loaded brake	
Hydraulics			
Max. hydraulic tank capacity	gal (l)	31.5 (120)	31.5 (120)
System type		Closed Center - pressure and flow compensating	
Main circuit (linkage, auxiliary spool valves)			
Max. operating pressure	PSI (bar)	2,900 (200)	2,900 (200)
Std. flow rate	gal/min (l/min)	51.5 (195)	51.5 (195)
Optional second pump flow rate	gal/min (l/min)	111.5 (422)	111.5 (422)
Number of spool valves		Max. 7 rear, max. 3 front	
Max. hydraulic output, total	hp (kW)	120 (90)	120 (90)
Front linkage (optional)			
Category	Mpa (bar)	III N, double-acting	III N, double-acting
Max. lift capacity	lbs	18,500	18,500
Rear linkage			
Category		IV N, double-acting	IV N, double-acting
Continuous lift capacity at ball ends	Lbf (kN)	22,480 (100)	22,480 (100)
Selectable function		Raising, lowering (pressing)	Raising, lowering (pressing)
Control function		Locational/tractional resistance, vibration damping	Locational/tractional resistance, vibration damping

¹ Meets ISO TR 14396

● Standard ○ Optional – Not available

Whatever it takes – CLAAS Service & Parts.



Specially matched to your machine.

Specially matched to your machine: precision-manufactured parts, high-quality consumables and useful accessories. We will supply exactly the right solution from our comprehensive product range to ensure that your machine is 100% reliable. Whatever it takes.



For your business: CLAAS FARM PARTS.

CLAAS FARM PARTS offers one of the most comprehensive ranges of parts, regardless of brand and sector, for all agricultural applications on your farm. Whatever it takes.



Global supply.

The CLAAS Parts Logistics Center in Hamm, Germany, stocks almost 200,000 different parts and has a warehouse area of over more than one million square feet. This central spare parts warehouse delivers all ORIGINAL parts quickly and reliably all over the world. This means that your local CLAAS partner can supply the right solution for your harvest or your business within a very short time.



Your local CLAAS distributor.

Wherever you are, you can count on us to always provide you with the service and the contact persons you need. Your CLAAS Dealers are on hand in your local area, ready to support you and your machine around the clock. With know-how, experience, commitment and the best technical equipment. Whatever it takes.



CLAAS of America Inc
8401 S 132nd Street
Omaha, NE 68138
Phone: 402-861-1000
claas.com

CL99881055 / 01/2022